



PRODUCT DESCRIPTION

Pendants molded in natural Gray finish concrete cement provide a unique urban contemporary design element Metal Polished Chrome hardware contrasts beautifully with the black fabric covered wire. Powerful and efficient illumination is provided by included GU10, 3000K LED bulbs.

FINISHES OPTION

Polished Chrome PC



MATERIAL

Concrete + Steel

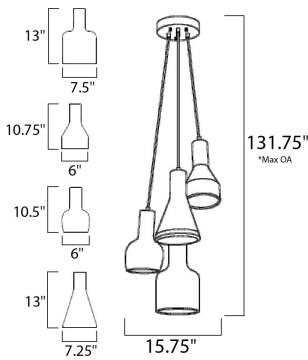
RATINGS

Dry Location
Dimmable



ADDITIONAL

INSTALL UP/DOWN:
OPERATING TEMPERATURE:
-20°C (-4°F), 40°C (104°F)



MEASUREMENTS

DIMENSION : 15.75" L x 15.75" W x 12.75" H
HANGING WEIGHT : 19.8 lb

LAMPING

INPUT VOLTAGE : 120V
LUMENS : 1,120 Rated (0 Del.)
BULB : 4 x 5W (INCLUDED), 20W Total
DIMMABLE : Dimmable
CRI : 80+ CRI
COLOR_TEMP : 3000K

*max overall height

Always consult a qualified electrician before installing any lighting product.



WESTERN DISTRIBUTION CENTER (HEADQUARTER)
253 NORTH VINELAND AVE | CITY OF INDUSTRY, CA 91746

EASTERN DISTRIBUTION CENTER
4200 SHIRLEY DR. | ATLANTA, GA 30336

P. 626.956.4200 | F. 626.956.4225 | maximlighting.com