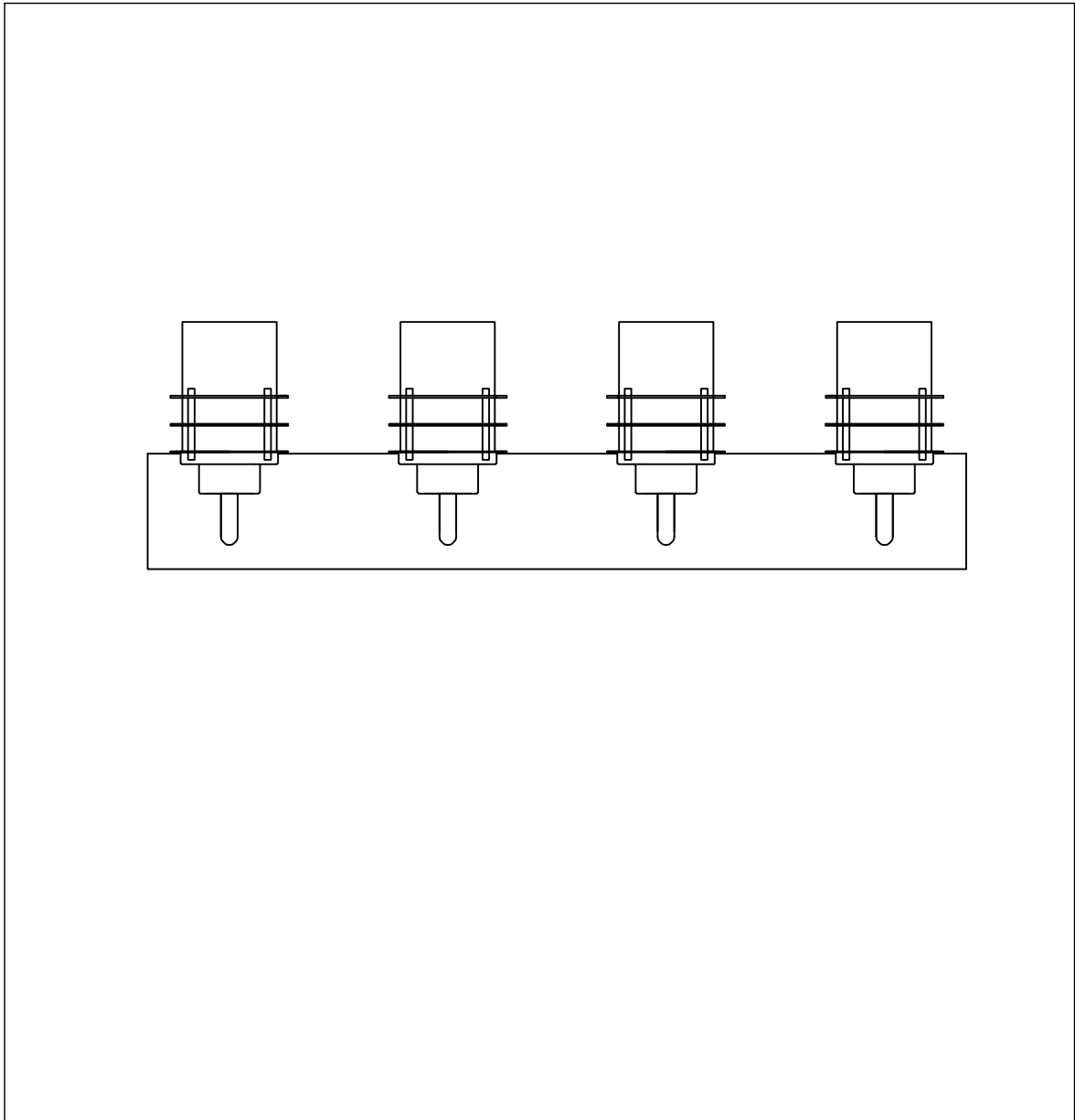




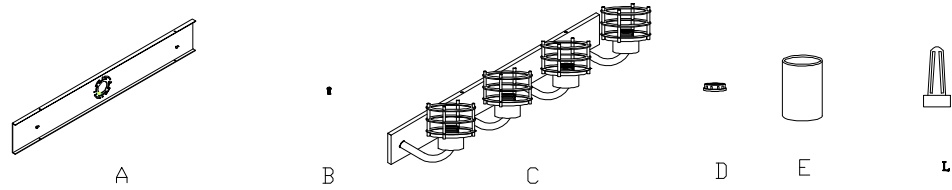
**PRODUCT NAME:** Tier vanity  
**ITEM NUMBER:** 2131/2132/2133/2134

**Please consult your electrician for hanging fixture and wiring.**

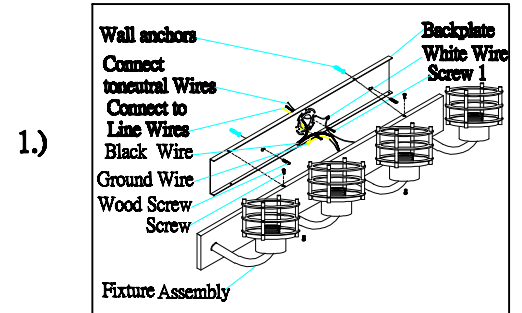
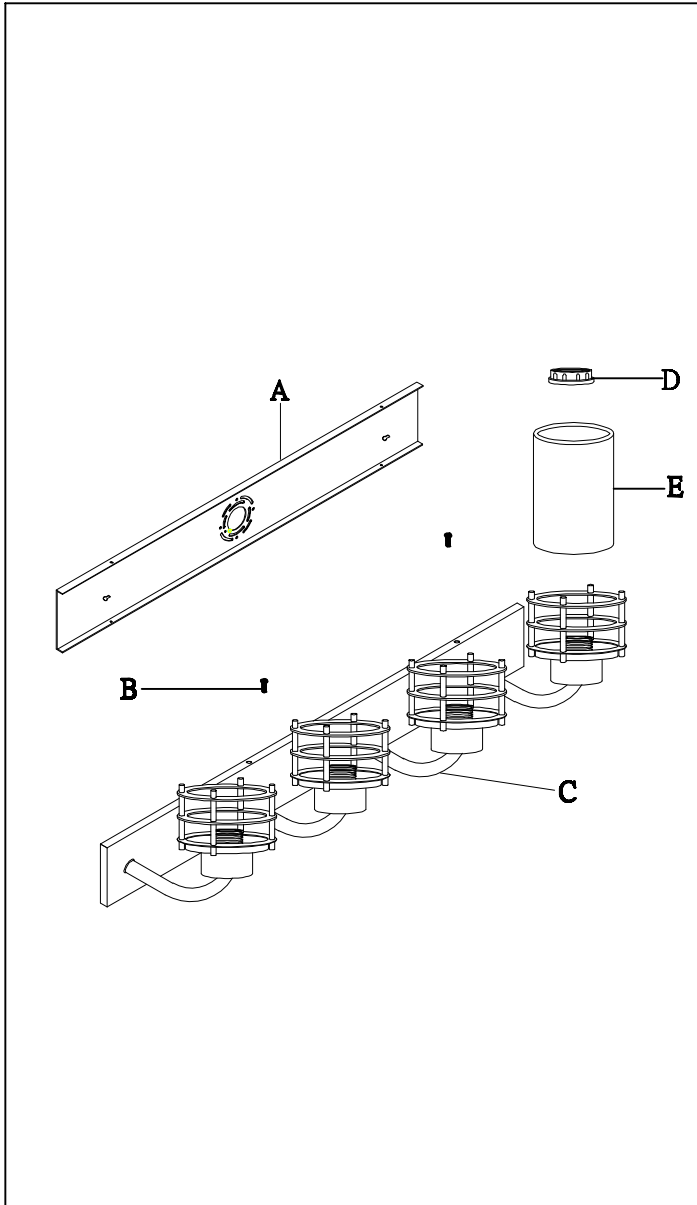


**Bulb(not included): 60 Watt Candelabra Base Bulbs**

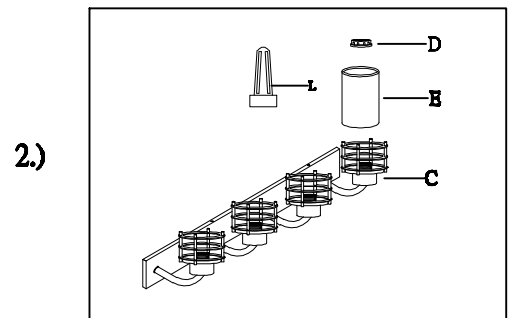
**IMPORTANT: Turn off the power at the main fuse or circuit breaker box before starting installation**



**Locate all hardware & components before discarding packaging**



**1.)** Remove mounting bracket (A) from fixture (C) and install it to electrical box. Wire fixture to wires in outlet box. Copper wire is for ground. Install fixture to back-plate and tighten screws (B) so that fixture meets the wall.



**2.)** Attach glass (E) to fixture (C) and use screw ring (D) to secure. **Noted: fix the screw ring, glass and bulb by Wrench (L)**

**Cleaning & Care:**

Clean with soft cloth and a mild detergent. Do not use abrasive cleaner.