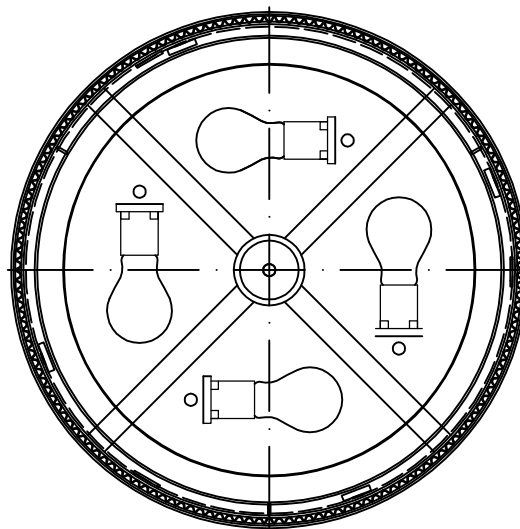
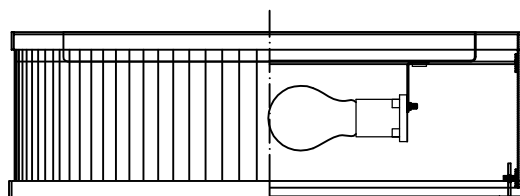




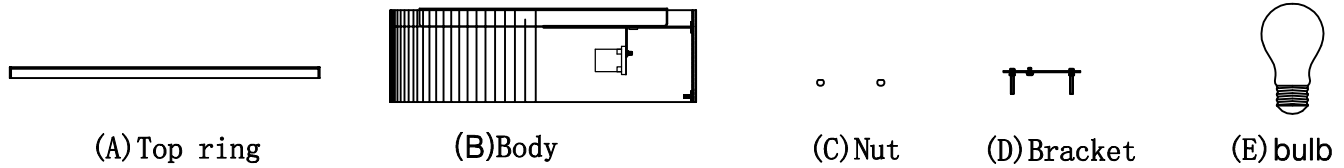
PRODUCT NAME: Ruffle 4LT Ceiling Mount
ITEM NUMBER: 26021

Please consult your electrician for Hang fixture and wiring.

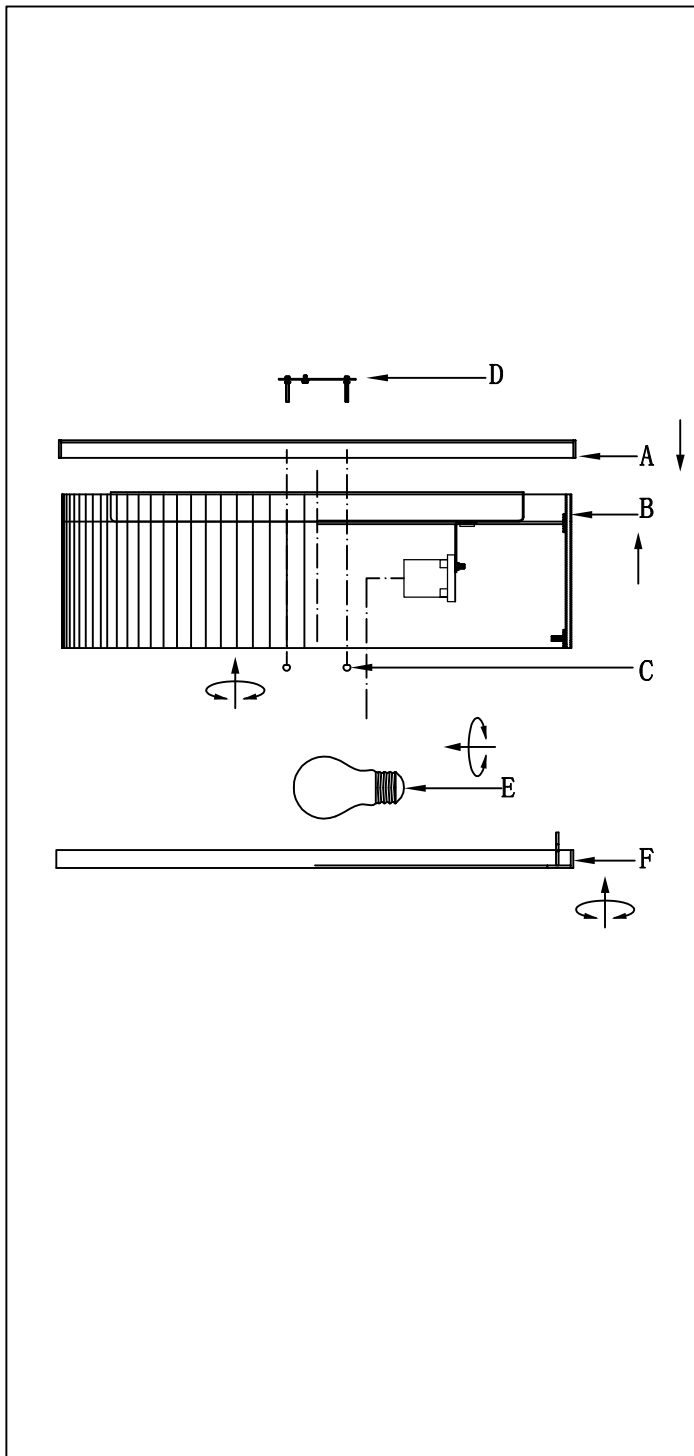


Bulb(not included):4*MB 60W

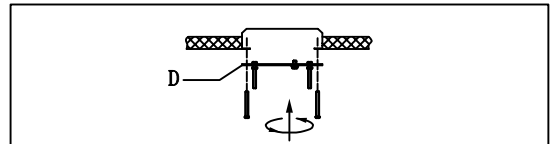
IMPORTANT: Turn off power at the main fuse or circuit breaker box before starting installation



Locate all hardware & components before discarding packaging

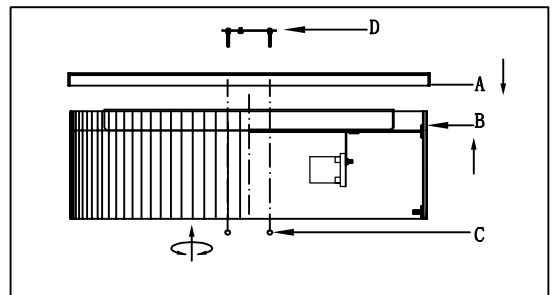


1.)



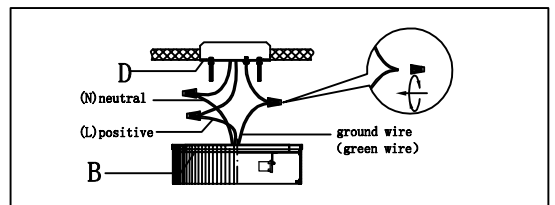
Step. 1: Remove mounting bracket (D) from fixture and install to electrical box.

2.)



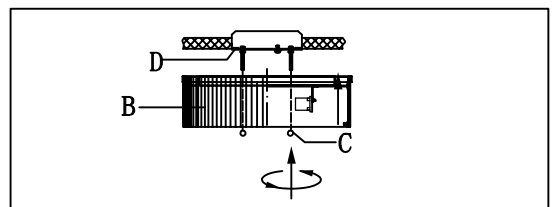
Step. 2: Fix the Top Ring (A) to the lamp body (B) before installing.

3.)



Step. 3: Wire fixture to wires in outlet box. Copper/Green wire is for Ground.

4.)

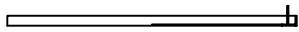


Step. 4: Install fixture to bracket and tighten ball nuts (C) on the canopy to secure.

Cleaning & Care:

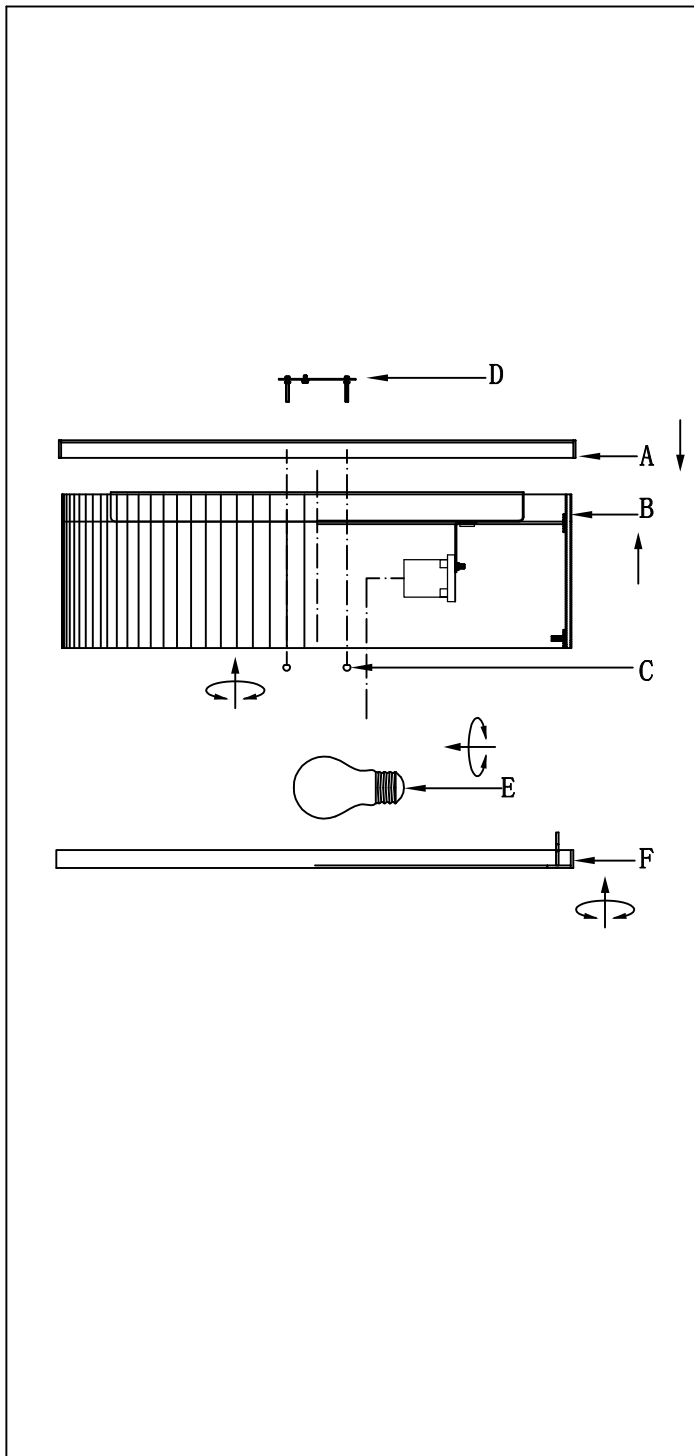
Clean with soft cloth and a mild detergent. Do not use abrasive cleaner.

IMPORTANT: Turn off power at the main fuse or circuit breaker box before starting installation

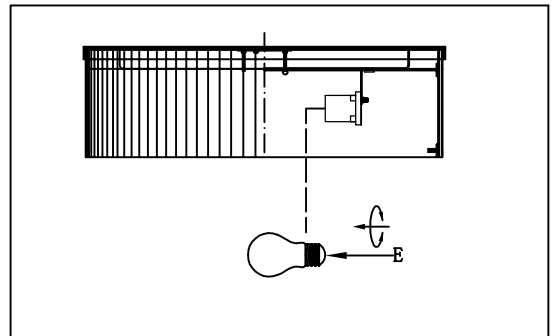


(A) Bottom ring

Locate all hardware & components before discarding packaging

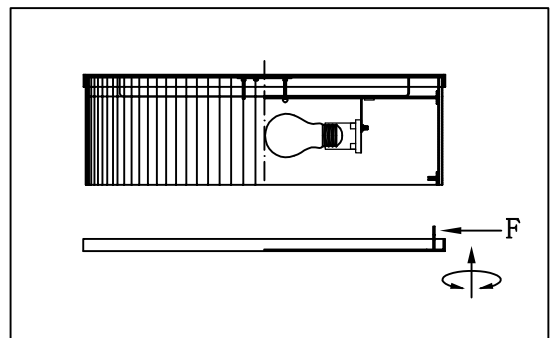


5.)



Step. 5: Install the bulb(E)

6.)



Step. 6: Install the bottom ring(F) on the body (B) .

Cleaning & Care:

Clean with soft cloth and a mild detergent.
Do not use abrasive cleaner.