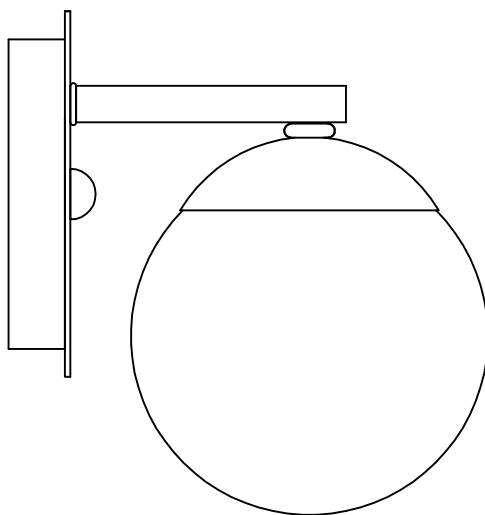




PRODUCT NAME: Motion 1 Light Wall Sconce  
ITEM NUMBER: 27551WTPC

Please consult a qualified electrician for hanging fixture and wiring.

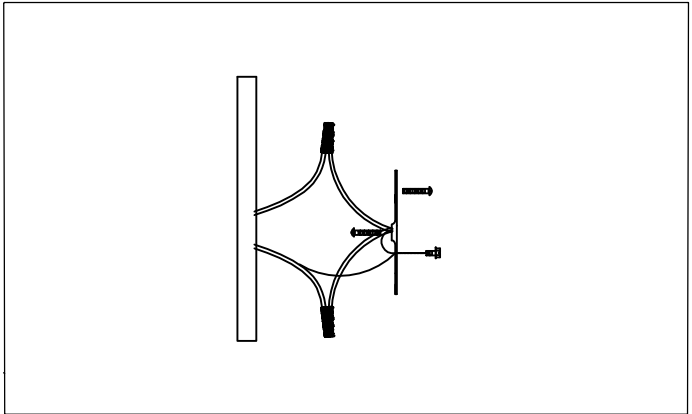
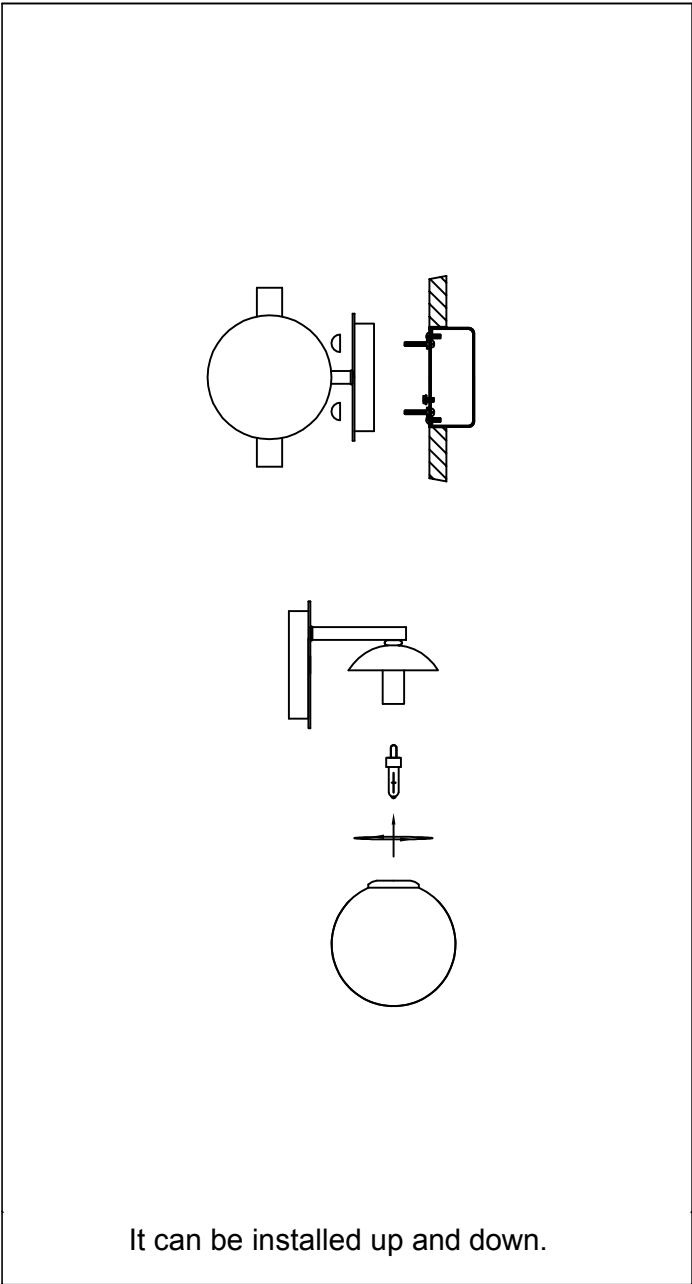


Caution: Xenon bulbs get very hot and may burn you. Always make sure bulbs are off for a minimum of 10 minutes before handling. Fixture may be dimmed using an electronic low voltage dimmer.

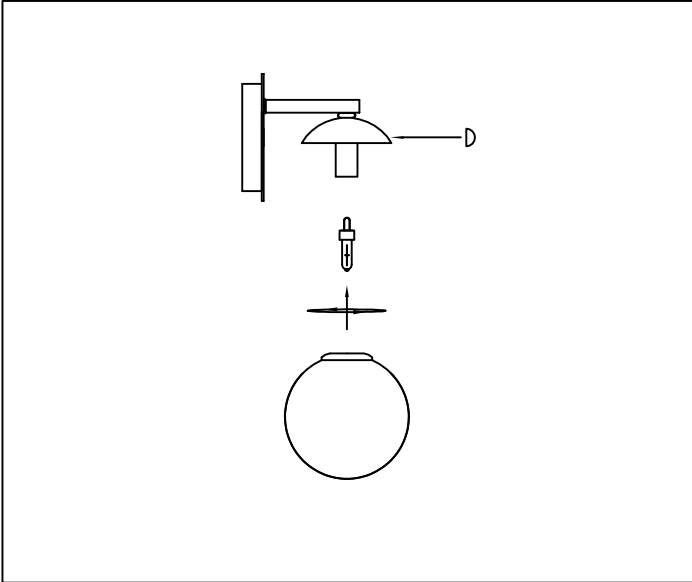
Bulb (included): 1\*40W G9 Bulb

**IMPORTANT:** Turn off the power at the main fuse or circuit breaker box before starting installation

Locate all hardware & components before discarding packaging



1. Remove mounting bracket from fixture and install to electrical box. Then wire fixture to wires in outlet box. Copper wire is for Ground.



- 2. Attach back plate to mounting bracket and tighten ball nuts so fixture meets wall.
- 3. Install 1 max 40W G9 bulb into socket.
- 4. Thread glass onto cup.

**Cleaning & Care:**  
Clean with soft cloth and a mild detergent.  
Do not use abrasive cleaner