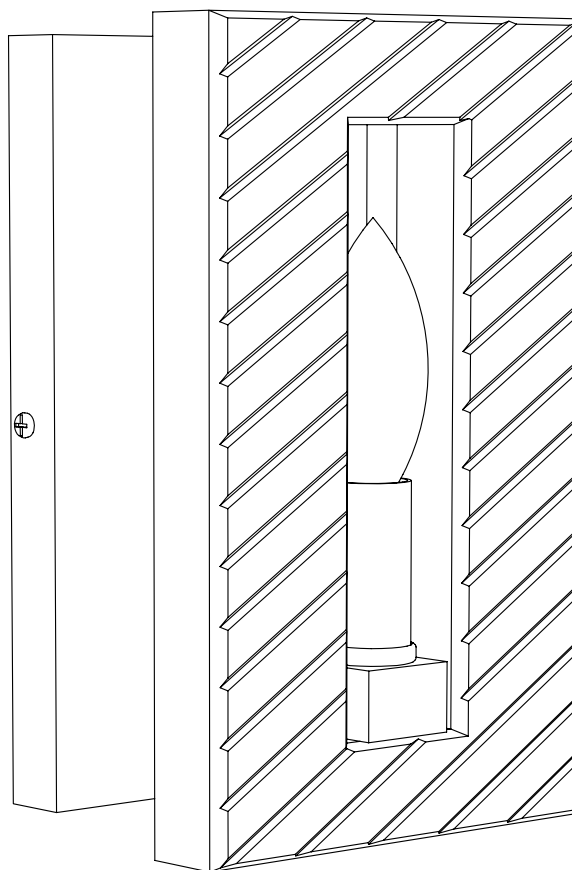




PRODUCT NAME: SUAVE

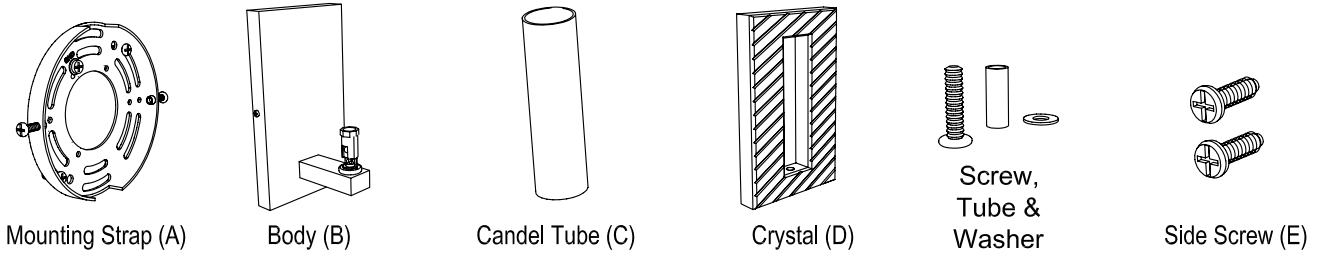
ITEM NUMBER: 38011BCPN

Please consult your electrician for hanging fixture and wiring.

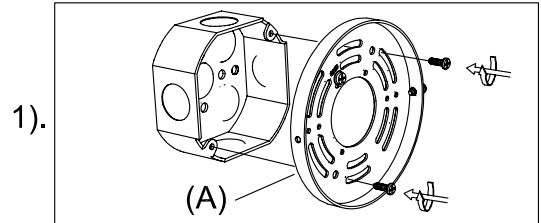
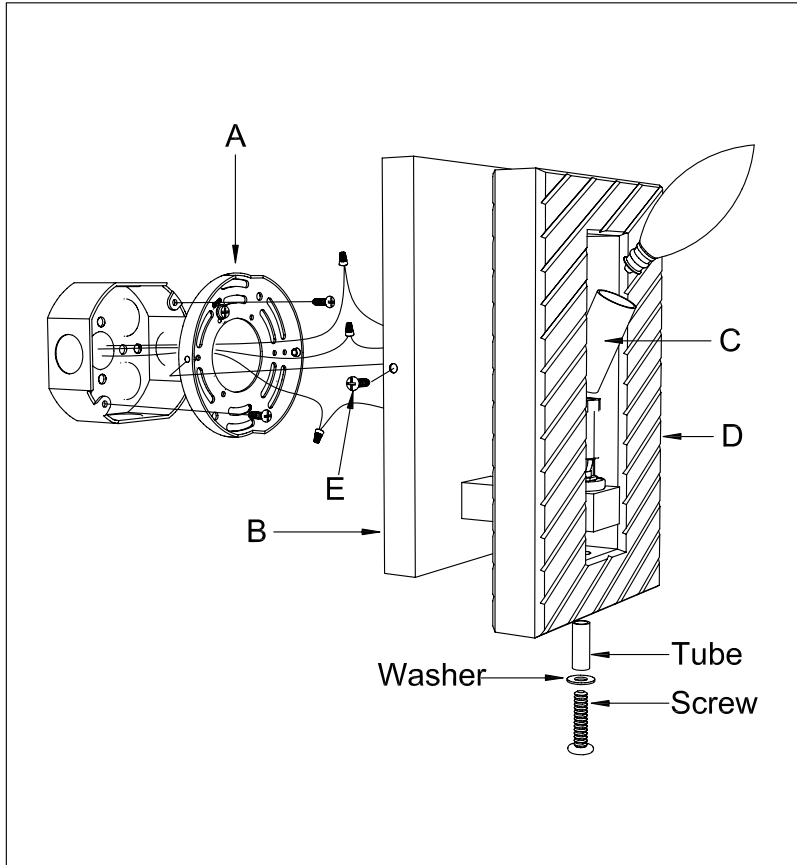


E12 1X60W (No bulb included)

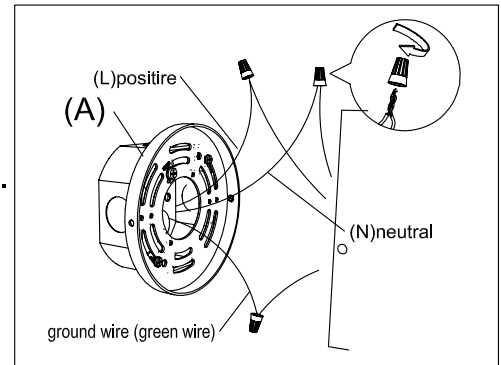
IMPORTANT: Turn off the power at the main fuse or circuit breaker box before starting installation.



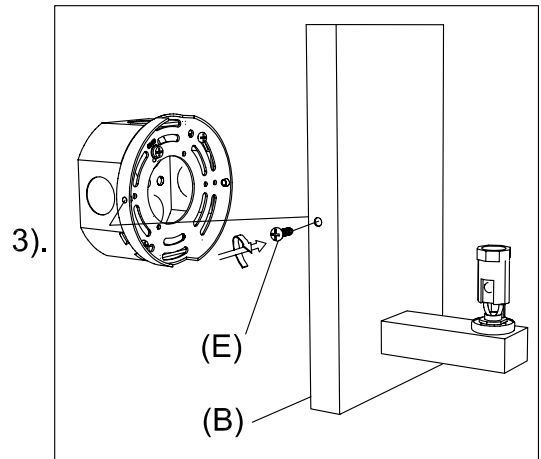
Locate all hardware & components before discarding packaging



1).
Step.1: Remove mounting strap (A) from fixture and install to electrical box.



2).
Step.2: Wire fixture to wires in outlet box. Green wire is for Ground.



3).
Step.3: Install body (B) to the outlet box and secure with side screw (E). Install Crystal (D) on the body and secure with tube, washer & screw. Place the Candel Tube (C) over the socket and Install light bulb.

Cleaning & Care:
Clean with soft cloth and a mild detergent.
Do not use abrasive cleaner.