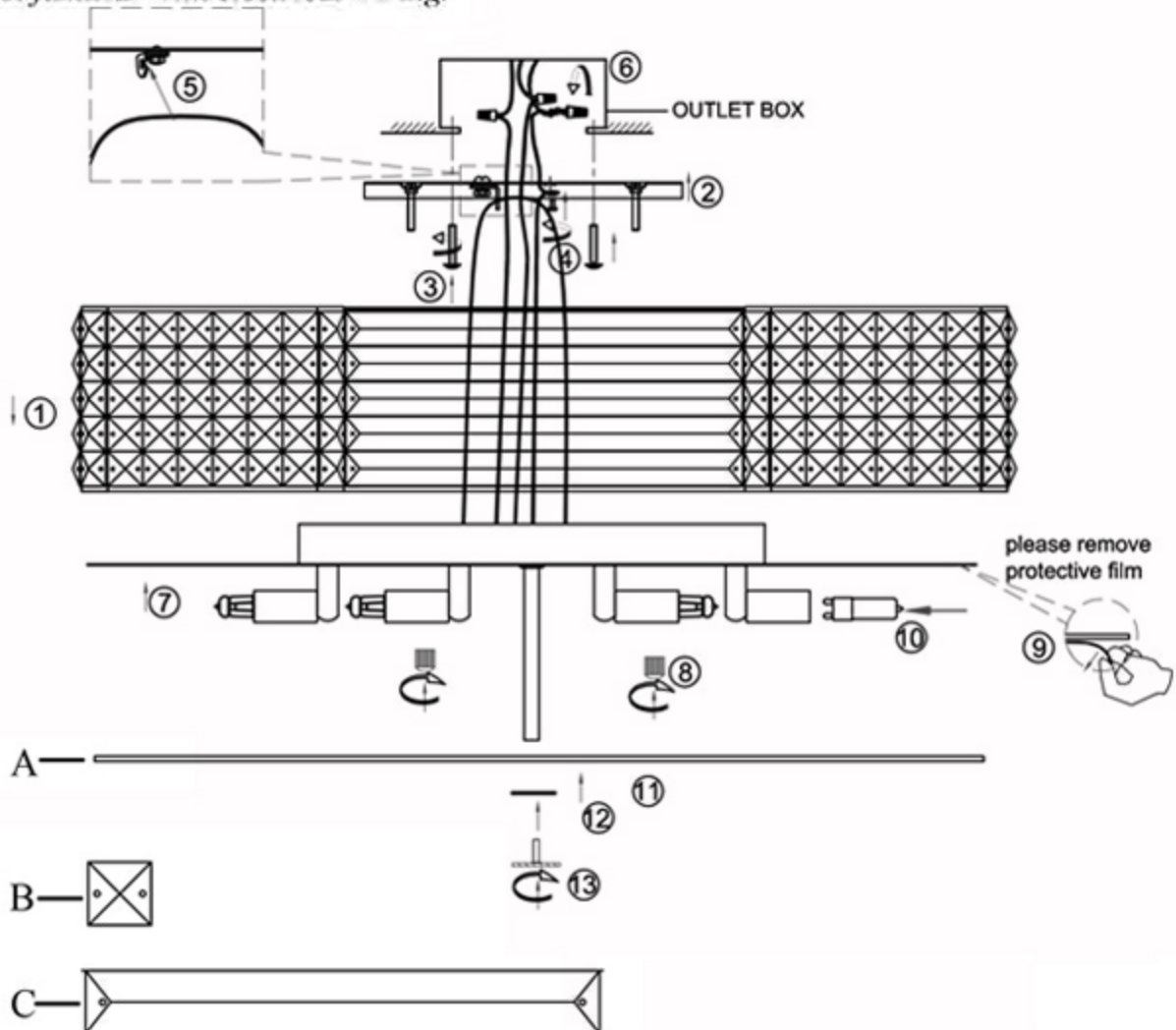


Electrical Wiring

With wire connectors, connect powercords from outlet box to fixture.

- Smooth/ Black wire to Black wire
- Ribbed/ White wire to White wire
- Green to Ground

Please consult a qualified electrician if you are not familiar with electrical wiring.



Code	MAXIM#	Size	Q'ty
A	ACL39781WT	L22.29"*W22.29"*T0.16"	1
B	CRY39780BC-A	L0.87"*W0.87"*H0.44"	300
C	CRY39781BC	L9.85"*W0.87"*H0.4"	20

Lamp Type: "Xenon" G9 8x MAX 40W 120V ~ 60HZ
 The lamp is for indoor use only