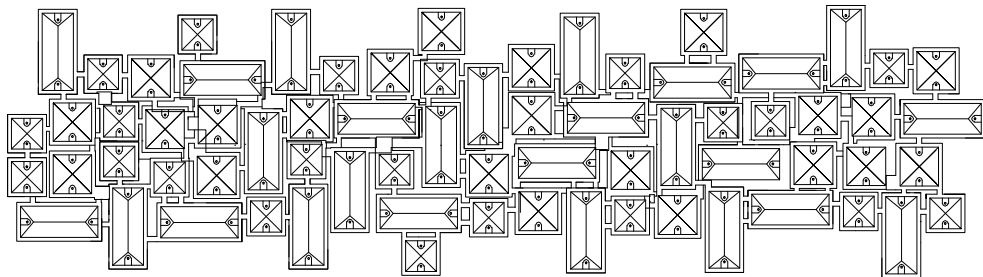




PRODUCT NAME: Paradigm
ITEM NUMBER: 39819

Please consult your electrician for hanging fixture and wiring.

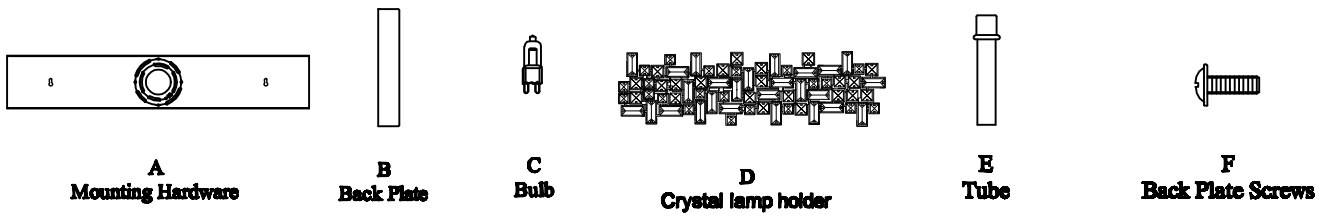


Caution: Xenon bulbs get very hot and may burn you. Always make sure bulbs are off for a minimum of 10 minutes before handling. Fixture may be dimmed using an electronic low voltage dimmer.

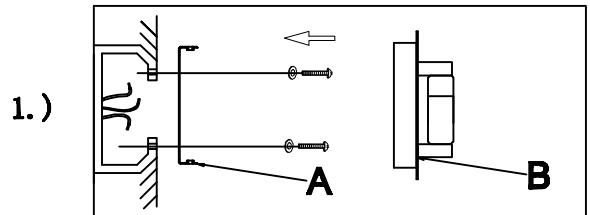
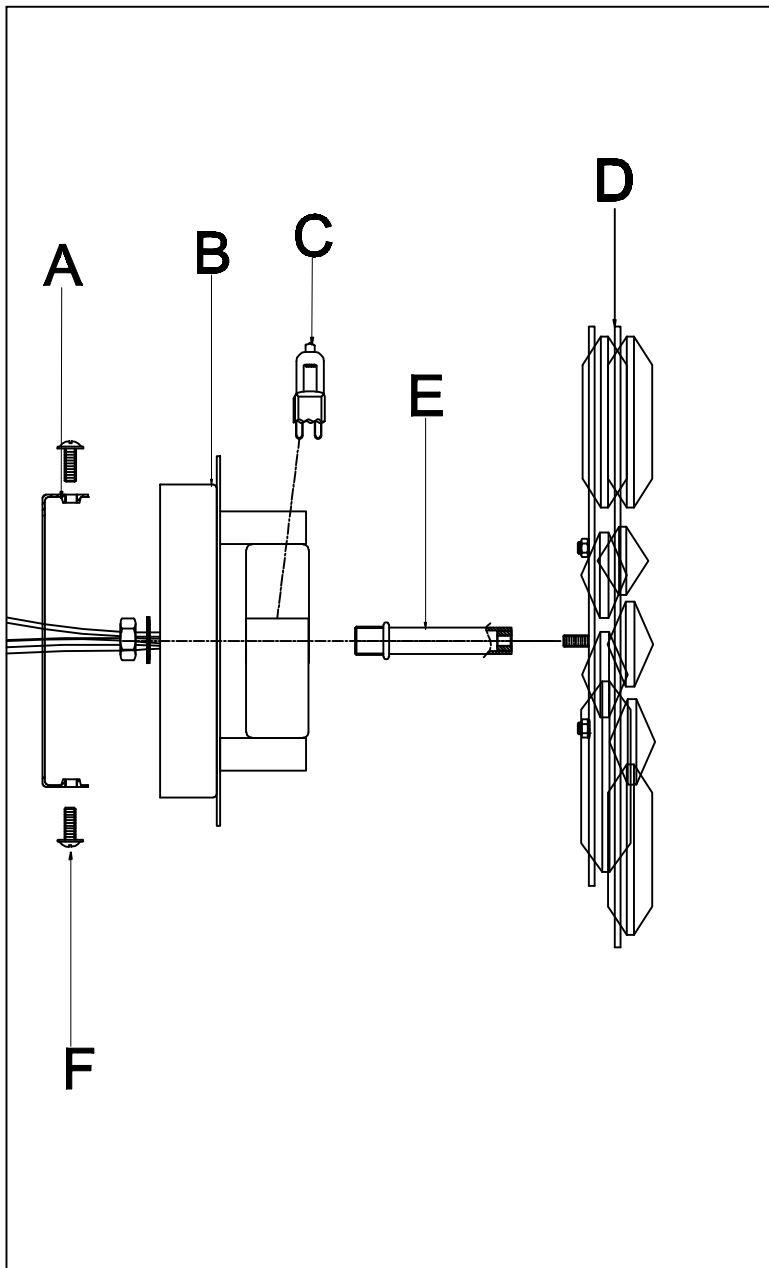
8 x 40W G9 Bulbs

MADE IN CHINA
Page 1 of (2)

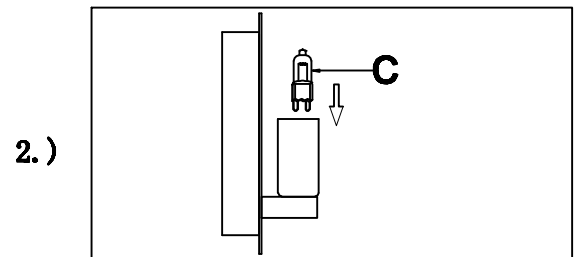
IMPORTANT: Turn OFF the power at the main fuse or circuit breaker box before starting installation



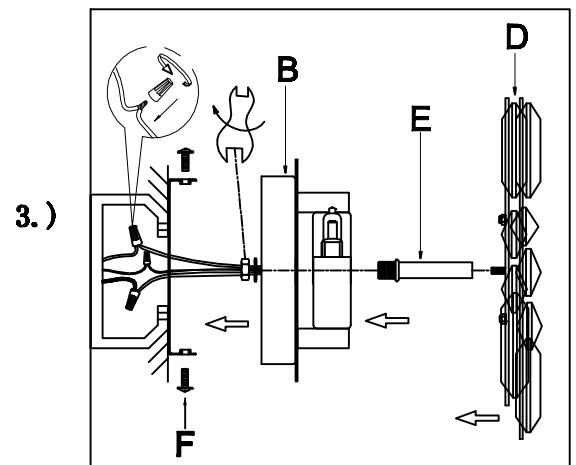
Locate all hardware & components before discarding packaging



1.) Step.1: Remove mounting bracket (A) from back plate (B) and install to electrical box.



2.) Step.2: Fit the bulbs (C) into each socket . Do not use bare hands to install.



3.) Step.3: Screw the tube(E) on the Crystal lamp frame(D),then lock (E) on the backbox(B) with nut. Connect the wires with the wiring cap

Fix the Backbox(B) on the backboard(A) with screw.

Step.4: Attach fixture to mounting bracket and tighten screws on the side to secure.

Cleaning & Care:

Clean with soft cloth and a mild detergent.
Do not use abrasive cleaner.