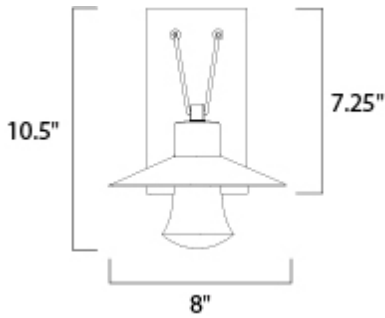




PRODUCT DESCRIPTION

Conical shades finished in Architectural Bronze appear to be suspended by its stainless steel cable. Concealed inside these shades is a high powered COB LED which shines into a heavy Clear glass font. The bottom of these fonts have an additional thickness of glass for better light distribution and lighting effect.



MEASUREMENTS

DIMENSION : 8." W x 10.5" H x 9.25" Ext
 BACK PLATE : 4.25" W x 7.25" H x 5.75" HCO
 HANGING WEIGHT : 3.3 lb

LAMPING

INPUT VOLTAGE : 120V
 LUMENS : 420 Rated (0 Del.)
 BULB : 1 x 6W (INTEGRATED), 6W Total
 CRI : 90+ CRI
 COLOR_TEMP : 3000K

FINISHES OPTION

Brushed Aluminum AL



GLASS

Clear CL

MATERIAL

Die Case Aluminum + Glass

RATINGS

cETLusWet Location
 For Outdoor



ADDITIONAL

INSTALL UP/DOWN:
 RATED LIFE 40000 Hours
 OPERATING TEMPERATURE:
 -20°C (-4°F), 40°C (104°F)

Always consult a qualified electrician before installing any lighting product.



WESTERN DISTRIBUTION CENTER (HEADQUARTER)
 253 NORTH VINELAND AVE | CITY OF INDUSTRY, CA 91746

EASTERN DISTRIBUTION CENTER
 4200 SHIRLEY DR. | ATLANTA, GA 30336

P. 626.956.4200 | F. 626.956.4225 | maximlighting.com