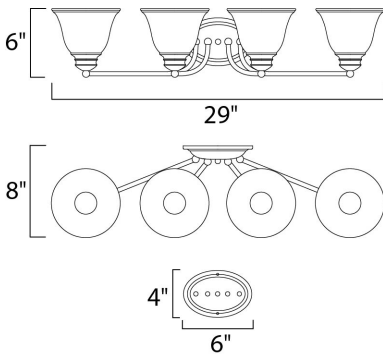




**PRODUCT DESCRIPTION**

The energy saving Malaga EE collection is finished in choice of Satin Nickel or Oil Rubbed Bronze completed with Marble glass. Fixtures include energy efficient, long lasting and low maintenance compact fluorescent bulbs, with select fixtures being Energy Star certified.



**MEASUREMENTS**

DIMENSION : 29." W x 6." H x 8." Ext  
 BACK PLATE : 6.13" W x 4.13" H x 2.21" HCO  
 HANGING WEIGHT : 4.84 lb

**LAMPING**

LUMENS : 3,600 Rated (0 Del.)  
 BULB : 4 x 13W (INCLUDED), 52W Total  
 CRI : 81-82 CRI  
 COLOR\_TEMP : 2700K  
 LIGHTING\_DIRECTION : Both

**FINISHES OPTION**

Satin Nickel SN



**GLASS**

Marble MR

**RATINGS**

Damp Location  
 CA Title 24



**ADDITIONAL**

INSTALL UP/DOWN: Both  
 INCANDESCENT WATTS: 327  
 RATED LIFE 10000 Hours  
 OPERATING TEMPERATURE:  
 -20°C (-4°F), 40°C (104°F)

Always consult a qualified electrician before installing any lighting product.



**WESTERN DISTRIBUTION CENTER (HEADQUARTER)**  
 253 NORTH VINELAND AVE | CITY OF INDUSTRY, CA 91746

**EASTERN DISTRIBUTION CENTER**  
 4200 SHIRLEY DR. | ATLANTA, GA 30336

P. 626.956.4200 | F. 626.956.4225 | maximlighting.com