

# FLUORESCENT VANITY FIXTURE ASSEMBLY & INSTALLATION INSTRUCTIONS

*Please read carefully and save these instructions, as you may need them at a later date.*

**NOTE:** Ballast replaceable by use of a qualified electrician only.

## CAUTION

Turn off the main power at the circuit breaker before installing the fixture, In order to prevent possible shock.

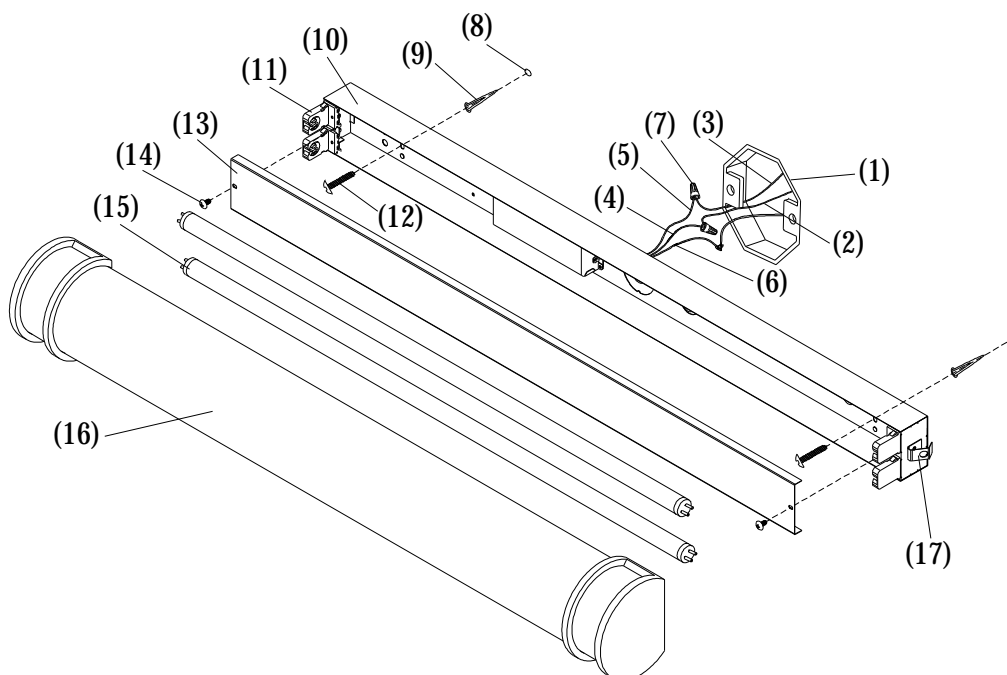
## GENERAL

All electrical connections must be in accordance with local and national electrical code(N.E.C) standards. If you are unfamiliar with proper electrical wiring connections obtain the services of a qualified electrician. Remove the fixture and the mounting package from the box and make sure that no parts are missing by referencing the illustrations on the installation instruction.

## ASSEMBLY AND INSTALLATION

1. Pull the Acrylic Lens (16) straight out from the Fixture Body (10).
2. Loosen the two Screws (14) on Wire Cover (13). Then take the wire cover out from the Fixture Body (10).
3. Position your fixture over the Outlet box (1).Mark the location of the two keyhole slots located on the Fixture Body (10).Be sure to mark only the narrow parts of the keyhole slots. Remove the Fixture Body (10) from the wall. Drill the two holes using the appropriately sized drill bit. Insert the provided wall Anchors (9) into the Holes (8).
4. Pull the Supply Wires (2&3) and the house ground wire out from the Outlet Box (1).
5. Make the wire connections: Connect the White Supply Wire (2) to the White Fixture Wire (4), connect the Black Supply Wire (3) to Black Fixture Wire (5) using Wire Connectors (7). Connect the House Ground Wire to the Fixture Ground Wire (6) using Wire Connector (7) (not provided).
6. Feed the two Anchor Screws (12) through the narrow part of the keyhole slots. Tighten the Anchor Screws (12) into the Anchors (9) until the Fixture body (10) is flush with the wall.
7. Put the Wire Cover (13) over the Fixture Body (10) and secure it by two Screws (14).
8. Install the Lamp (15) (not included) into the Sockets (11). Please follow the wattage label on the Fixture Body (10). Do not exceed recommended maximum wattage.
9. Put the Acrylic Lens (16) over the Fixture Body (10) and push it. Then fixed the Acrylic Lens (16) by the two Clips (17).

**INSTALLATION IS NOW COMPLETED**



- 1.OUTLET BOX
- 2.WHITE SUPPLY WIRE
- 3.BLACK SUPPLY WIRE
- 4.WHITE FIXTURE WIRE
- 5.BLACK FIXTURE WIRE
- 6.GROUND WIRE
- 7.WIRE CONNECTOR
- 8.HOLES
- 9.ANCHOR
- 10.FIXTURE BODY
- 11.SOCKET
- 12.ANCHOR SCREW
- 13.WIRE COVER
- 14.SCREW
- 15.LAMP
- 16.ACRYLIC LENS
- 17.CLIP