

# MINI-PENDANT FIXTURE INSTALLATION INSTRUCTIONS

Please read carefully and save these instructions, as you may need them at a later date.

## CAUTION

**WARNING:** Risk of Fire. Consult a qualified electrician to ensure correct branch circuit conductor. Min 90°C supply conductors.

Turn off the main power at the circuit breaker before installing the fixture, in order to prevent possible shock.

## GENERAL

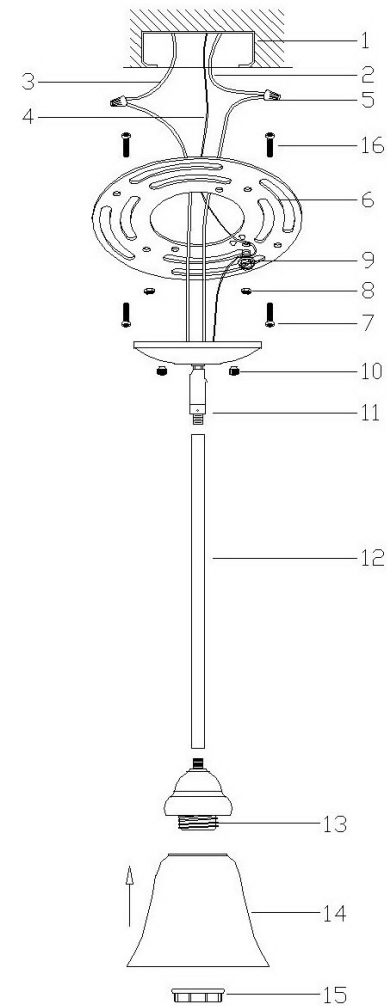
All electrical connections must be in accordance with local and National Electrical Code (N.E.C.) standards. If you are unfamiliar with proper electrical wiring connections obtain the services of a qualified electrician.

Remove the fixture and the mounting package from the box and make sure that no parts are missing by referencing the illustrations on the installation instructions.

## ASSEMBLY AND INSTALLATION

1. Thread the Tubes(12) onto fixture Nipple(13),then thread the tube with the swivel(11).
2. Thread two Screw(18) to the Mounting bar(6) and secure with the Hex nut(8).
3. Secure the Mounting bar(6) with Mounting screw(7) to the Outlet box(1).
4. Pull out the outlet wire and ground wire from the Outlet box(1).Make wire connections
  - Ribbed wire(w/o marking) from light to White wire(2) from power source.
  - Smooth wire(w/o marking) from light to Black wire(3) from power source.
  - Loop the Ground wire(4) to Mounting bar(6) with a Green screw(9)
5. Attach the fixture canopy against the Outlet box(1),secure with the Ball nut(10)
6. Attach the Glass(15) to the Glass Holder through Socket(14),then secure by Socket ring(17)
- 7.Install bulbs:(bulbs not include)  
(Please don't exceed the maximum capacity that recommended on the sockets).

INSTALLATION IS NOW COMPLETED



1. OUTLET BOX
2. WHITE WIRE
3. BLACK WIRE
4. GROUND WIRE
5. WIRE CONNECTOR
6. MOUNTING BAR
7. MOUNTING SCREW
8. HEX NUT
9. GROUND WIRE SCREW
10. BALL NUT
11. SWIVEL
12. TUBES
13. NIPPLE
14. SOCKET
15. GLASS
16. RING
17. SOCKET RING
18. MOUNTING SCREW