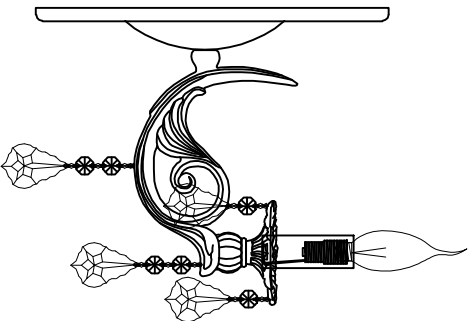


Trade Mark:  
CRYSTAL WORLD INC

Product Name: Wall lamp  
Model :2050W5GB-1  
120Vac, 60Hz,AC ONLY  
Lamp Size: W5"XH11"XE8"

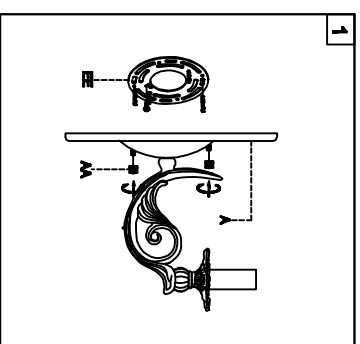


## WALL LAMP ASSEMBLY INSTRUCTIONS

1. Place fixture(A) onto Butterfly (EE).  
Secure with cap nuts (AA).

### Hardware Used

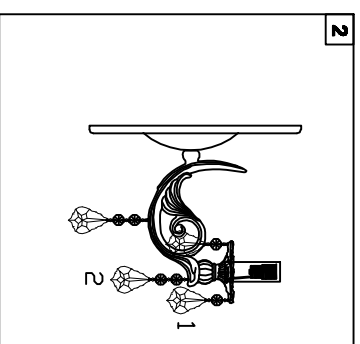
AA Cap nut      @      X 2



2. Please hang the crystal(1) (2) to the fixture (A).

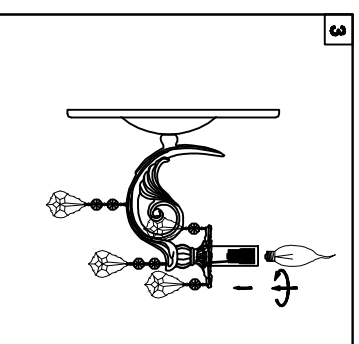


- 1      14mm\*1PCS  
50mm\*1PCS      4PCS
- 2      14mm\*2PCS  
50mm\*1PCS      2PCS



3. Install light bulbs (not included).  
Use bulb

120V      E12 1x40W Max.



 C US  
Intertek  
4006677