

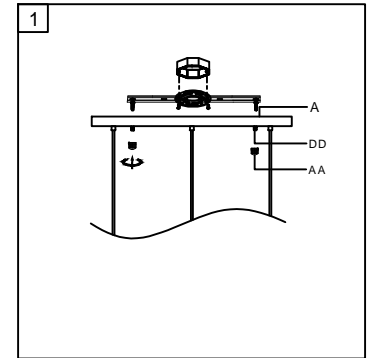
Trade Mark:  
CRYSTAL WORLD INC

Product Name: Pendant lamp  
Model :5006P24C-RC  
120Vac, 60Hz, AC ONLY  
Lamp Size:L24"\*W6"\*H9"-H67"



## PENDANT LAMP ASSEMBLY INSTRUCTIONS

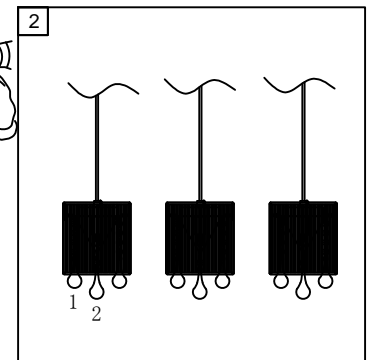
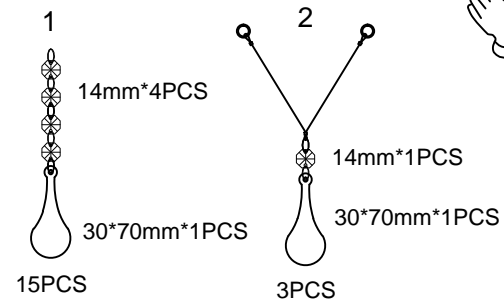
1. Place fixture(A) onto mounting screws (DD).secure with cap nuts (AA).




### Hardware Used

AA Cap nut  X 2  
DD Mounting screw  X 2

2. Please hang the crystal (1) (2) to the fixture .



3. Install light bulbs ( not included).  
Use bulb  **3\*40W Max.**

