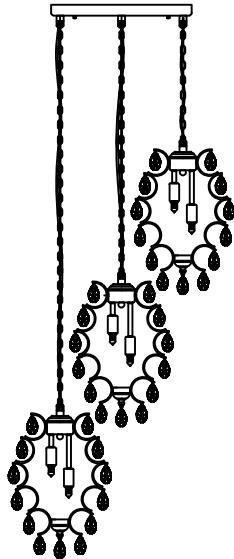


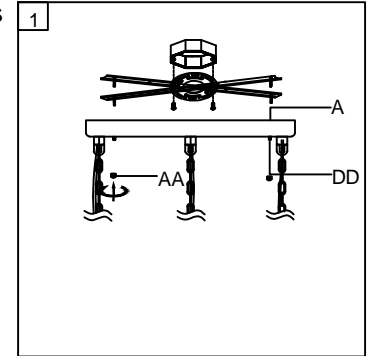
Trade Mark:  
CRYSTAL WORLD INC

Product Name: Pendant lamp  
Model :5011P24C-R  
120Vac, 60Hz,AC ONLY  
Lamp size:Ø24"XH72"



## PENDANT LAMP ASSEMBLY INSTRUCTIONS


1.Place fixture(A) onto mounting screws (DD).secure with cap nuts (AA).

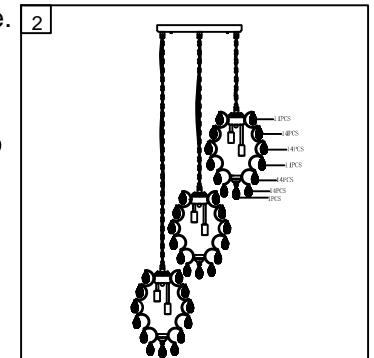



### Hardware Used

AA Cap nut  X 4  
DD Mounting screw  X 4

2.Please put the crystal(1) to the fixture.

1  
 38mm\*1PCS  
234PCS



3.Install light bulbs ( not included).  
Use bulb  **120V G9 6\*40W Max.**

