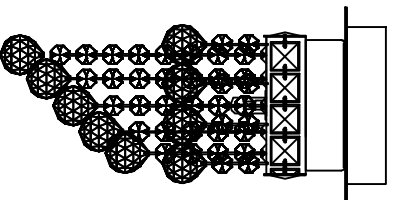


Trade Mark:
CRYSTAL WORLD INC

Product Name: Ceiling lamp
Model :5072C6C-R
120Vac, 60Hz,AC ONLY
Lamp size:Ø6"XH11"

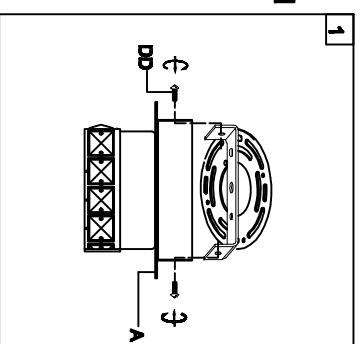


CEILING LAMP ASSEMBLY INSTRUCTIONS

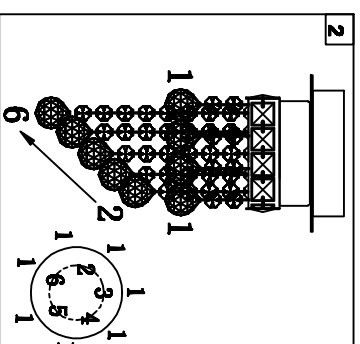
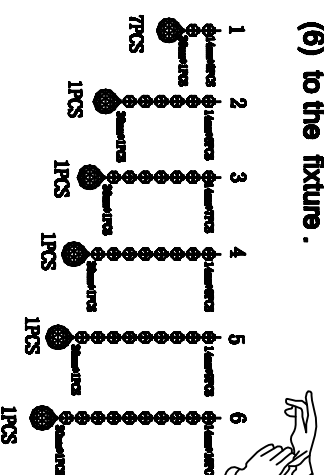
1. Place fixture (A) onto Crossbar (EE), secure with Mounting screw (DD).
Note: The fixture (A) should be installed with the sockets facing down.

Hardware Used

DD Mounting screw  X 2



2. Please put the crystal(1) (2) (3) (4) (5) (6) to the fixture .



3. Install light bulbs (not included).
Use bulb
120V G9 ⌀ **1"40W Max.**

