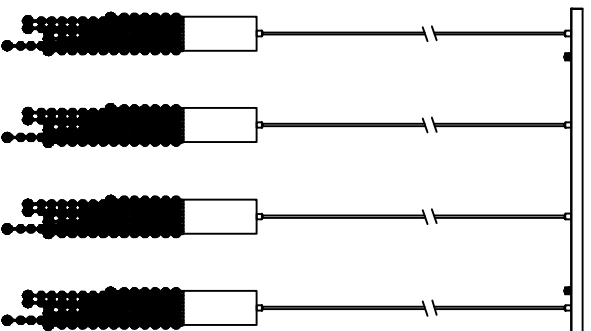


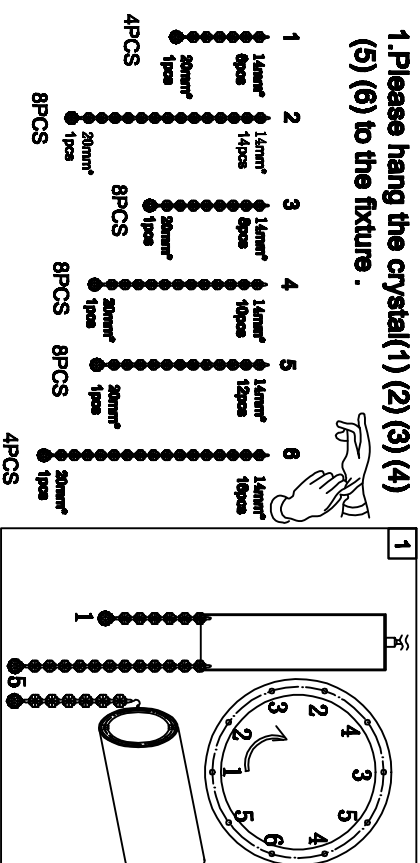
Trade Mark:
CRYSTAL WORLD INC

Product Name: Pendant lamp
Model :5081P30C-RC
120Vac, 60HZ,AC ONLY
LampSize:L30"*W5"*H20"-H48"

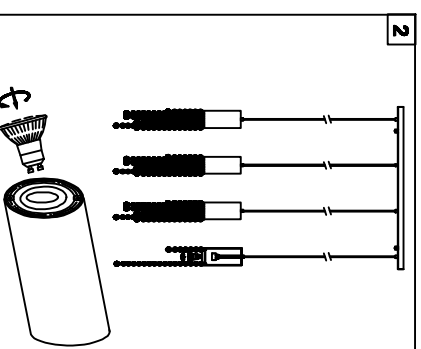


PENDANT LAMP ASSEMBLY INSTRUCTIONS

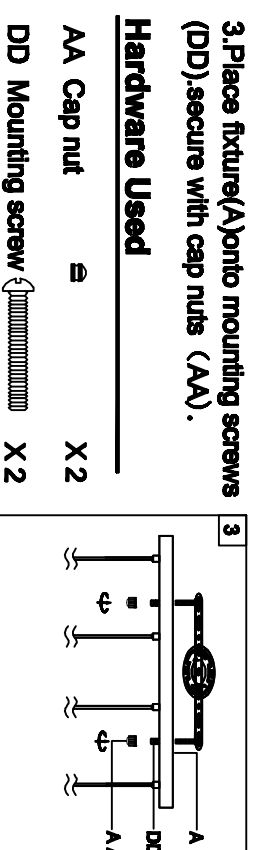
1. Please hang the crystal(1) (2) (3) (4) (5) (6) to the fixture .



2. light bulbs (not included).
120V GU10  4*35W Max.



3. Place fixture(A) onto mounting screws (DD), secure with cap nuts (AA).



Hardware Used

AA Cap nut	⊖	X 2
DD Mounting screw		X 2



Intertek
4006677