

CWI LIGHTING

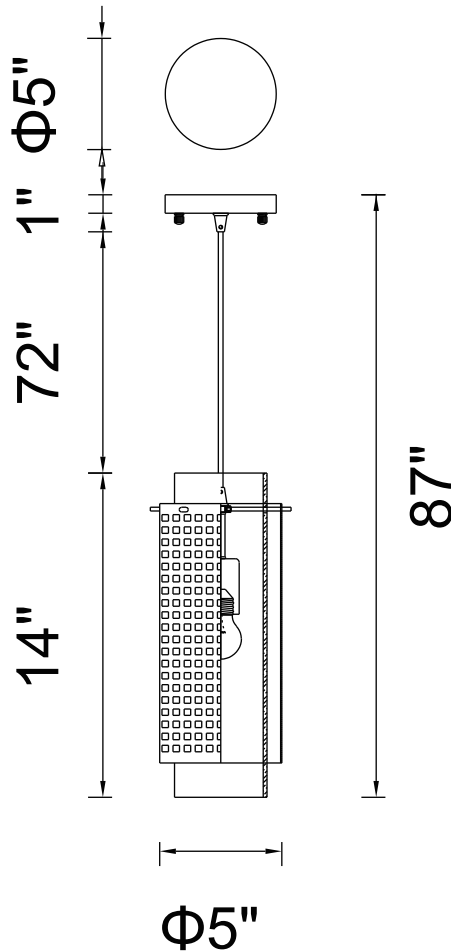
BRIGHTER LIVING. SIMPLIFIED.

PROJECT: _____

FIXTURE TYPE: _____

LOCATION: _____

CONTACT/PHONE: _____



Item	5209P5B
Collection	CHECKERED
Finish	Black
Glass	Forsted
Crystal	-----
Input	120V AC,60HZ,AC

Shade	-----
Length/Dia.	5"
Width/Ext.	-----
Height	14"
Maximum	87"
Lumens	-----

Light Source	E26
Bulb Info.	1×60W
Included	-----
Dimmable	No
Color	-----
Weight	-----