

CWI LIGHTING

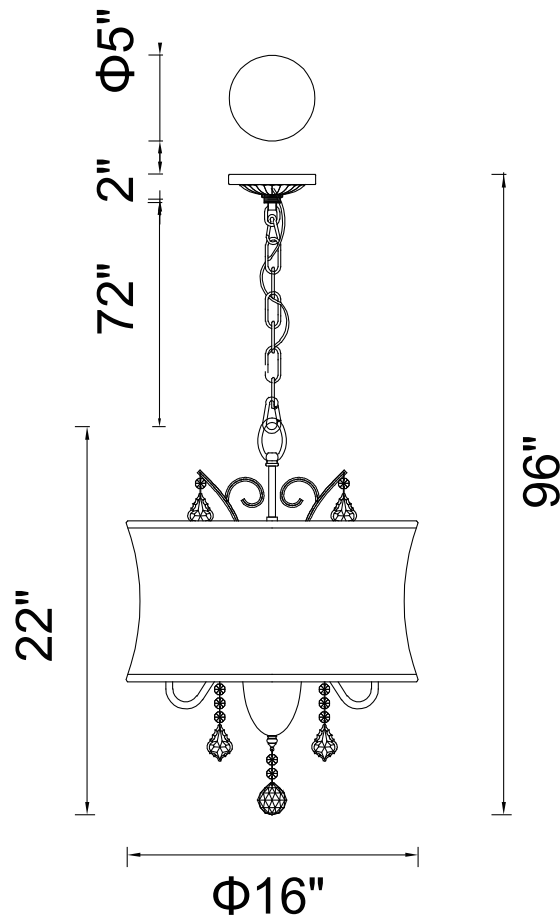
BRIGHTER LIVING. SIMPLIFIED.

PROJECT: _____

FIXTURE TYPE: _____

LOCATION: _____

CONTACT/PHONE: _____



Item	5335P16C
Collection	CHARLOTTE
Finish	Chrome
Glass	-----
Crystal	Clear
Input	120V AC,60HZ,AC

Shade	Black
Length/Dia.	16"
Width/Ext.	-----
Height	22"
Maximum	96"
Lumens	-----

Light Source	E12
Bulb Info.	4×60W
Included	-----
Dimmable	No
Color	-----
Weight	-----