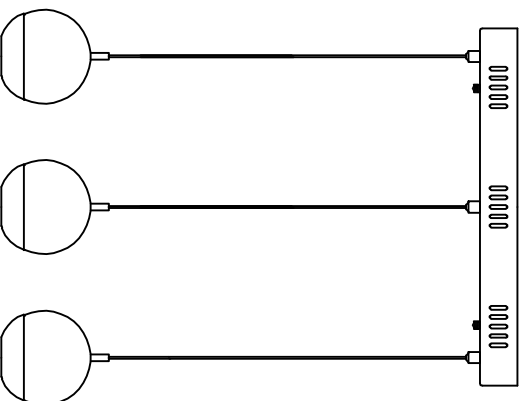


Trade Mark:  
CRYSTAL WORLD INC

Product Name: Pendant lamp  
Model :5444P16C-RC  
120Vac, 60Hz,AC ONLY  
Lamp Size:L16"W5"H6"-H48"

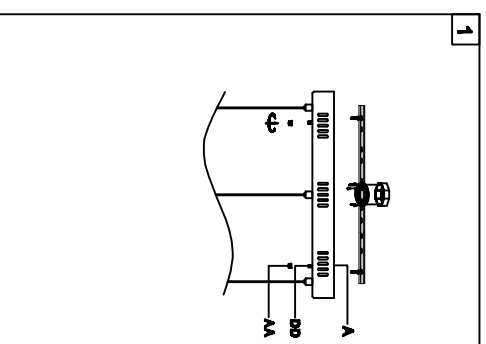


## PENDANT LAMP ASSEMBLY INSTRUCTIONS


1. Place fixture(A) onto mounting screws (DD), secure with cap nuts (AA).

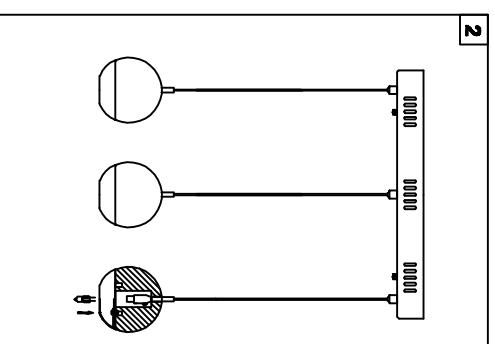
### Hardware Used

AA Cap nut            X 2  
DD Mounting screw       X 2



2. Install light bulbs (not included).

Use bulb  3\*20W Max.  
12V G4



  
C US  
Intertek  
4006677