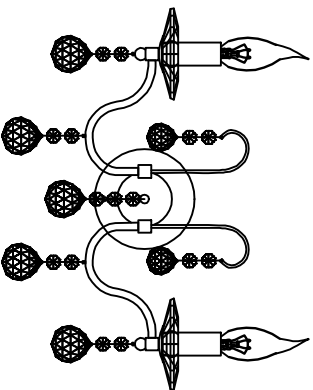


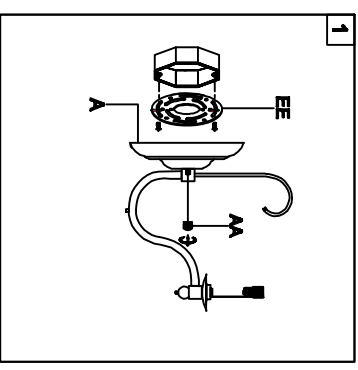
Trade Mark:  
CRYSTAL WORLD INC

Product Name: Wall lamp  
Model :5507W12C-2  
120V/ac, 60Hz,AC ONLY  
Lamp Size:W12"xH11"xE7"



## WALL LAMP ASSEMBLY INSTRUCTIONS

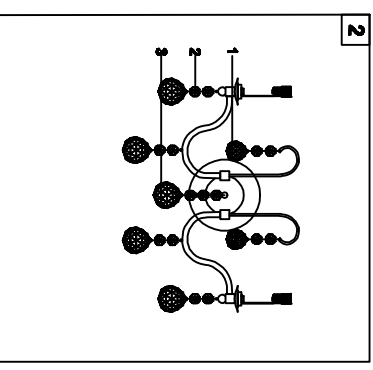
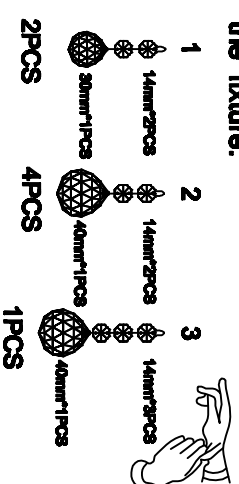
1. Place fixture(A) onto Butterfly (EE).  
Secure with cap nuts (AA).



### Hardware Used

AA Cap nut  X 2

2. Please hang the crystal (1) (2) (3) to the fixture.



3. Install light bulbs ( not included).  
Use bulb  
120V E12 2\*40W Max.

