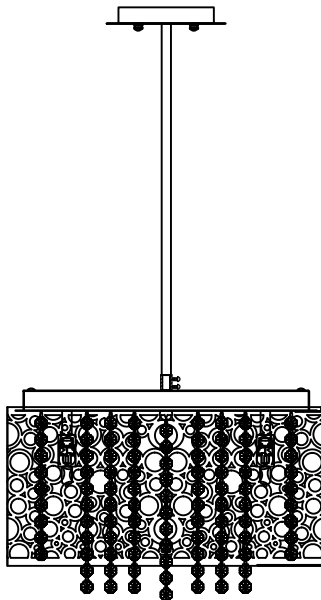


Trade Mark:  
CRYSTAL WORLD INC

Product Name: Pendant lamp  
Model : 5536P16ST  
120Vac, 60Hz, AC ONLY  
Lamp Size: Ø16"\*H10"

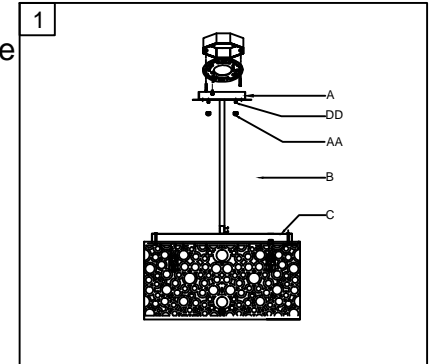


## PENDANT LAMP ASSEMBLY INSTRUCTIONS

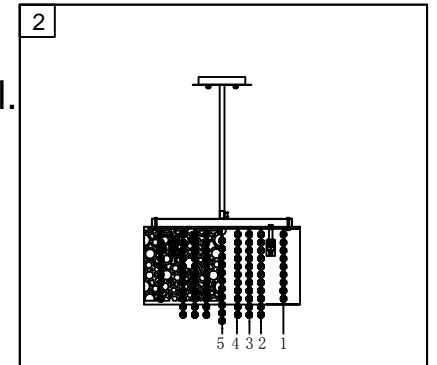
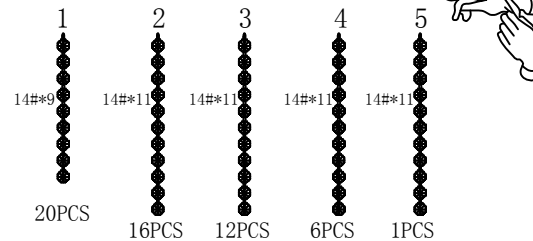
1. Place fixture (A) onto mounting screws (DD). secure with cap nuts (AA). Please fix (A) with (B). (B) with (C)


### Hardware Used

AA Cap nut		X 2
DD Mounting screw		X 2



2. Please wear gloves when you hanging the crystal.



3. Install light bulbs ( not included).  
Use bulb  
**120V G9  6\*40W Max.**

