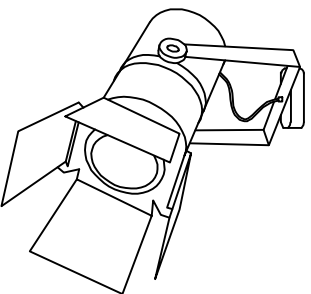


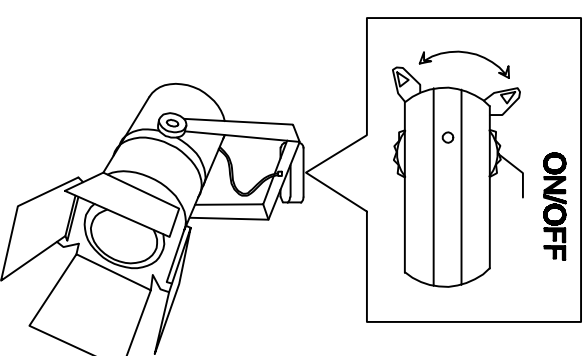
Trade Mark:
CRYSTAL WORLD INC

Product Name: Pendant lamp
Model :7119C13-1-101
120Vac, 60Hz,AC ONLY
Lamp Size:D13H12**~H71"**



PENDANT LAMP ASSEMBLY INSTRUCTIONS

1. Install bulbs (NOT INCLUDED),USE 120V LED 1*12W Max.




c certified us
Intertek
4006677