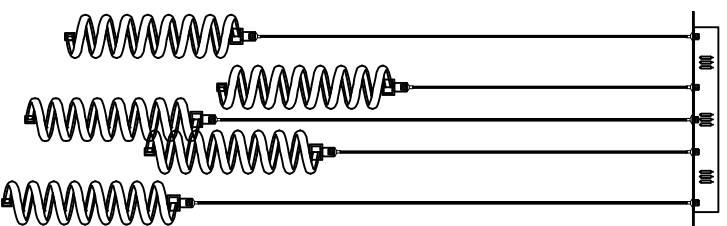


Trade Mark:
CRYSTAL WORLD INC

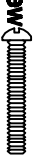
Product Name: Pendant lamp
Model : 7121P14-9-601
120Vac, 60Hz, AC ONLY
Lamp size: D14*H14"~H132"

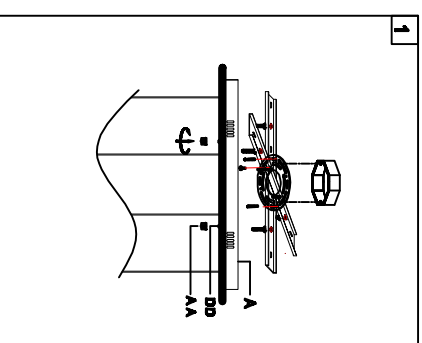


PENDANT LAMP ASSEMBLY INSTRUCTIONS


1. Place fixture(A) onto mounting screws (DD), secure with cap nuts (AA).

Hardware Used

AA Cap nut	⊖	X 4
DD Mounting screw		X 4



2. Lighting bulbs (not included).

120V LED  9*16W
DIMMABLE (3000K)

