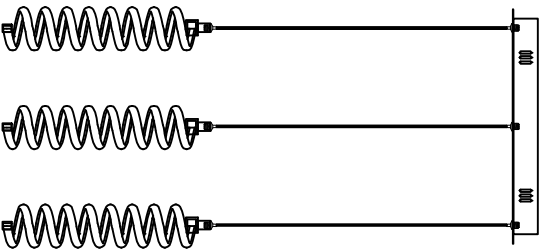


Trade Mark:
CRYSTAL WORLD INC

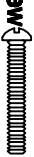
Product Name: Pendant Lamp
Model: 7121P16-3-001
120V/60, 60Hz/AC ONLY
Lamp shade: 15" W x 11 1/2" H x 11 1/2" D

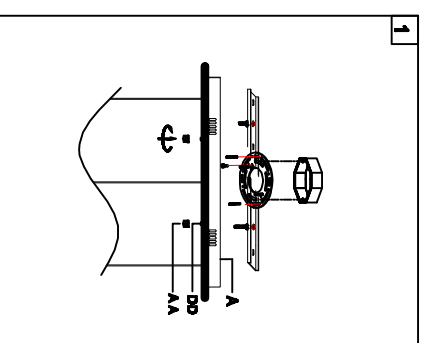


PENDANT LAMP ASSEMBLY INSTRUCTIONS

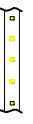
1. Place fixture(A) onto mounting screws (DD), secure with cap nuts (AA).

Hardware Used

AA Cap nut	⊖	X 2
DD Mounting screw		X 2



2. Lighting bulbs (not included).

120V LED  **3*16W**
DIMMABLE (3000K)

