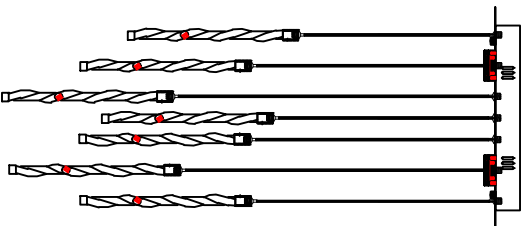


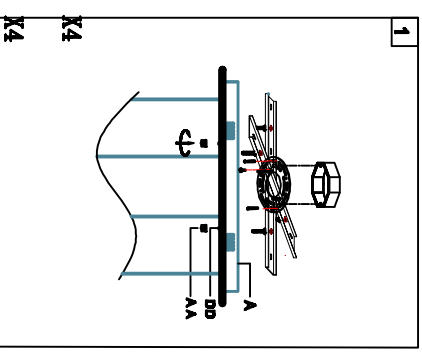
Trade Mark:
CRYSTAL WORLD INC

Product Name: Pendant lamp
Model : 7122P14-16-601
120Vac, 60Hz,AC ONLY
Lamp size:D14*H14"H132"



PENDANT LAMP ASSEMBLY INSTRUCTIONS

1. Place fixture(A) onto mounting screws (DD), secure with cap nuts (AA).



Hardware Used

AA Cap nut 
 DD Mounting screw 

2. Lighting bulbs (not included).

120V LED  **16*5W +3*3W**
DIMMABLE (3000K)

