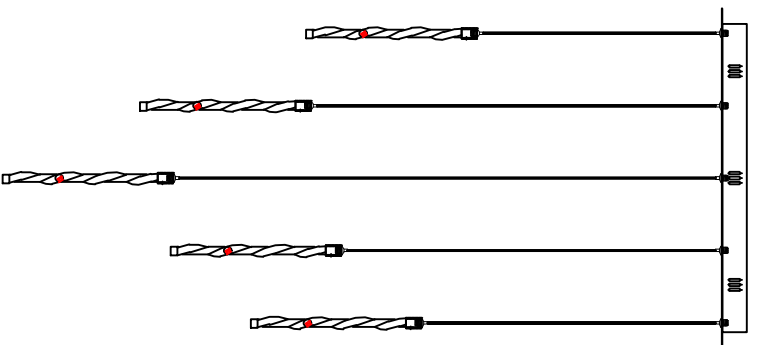


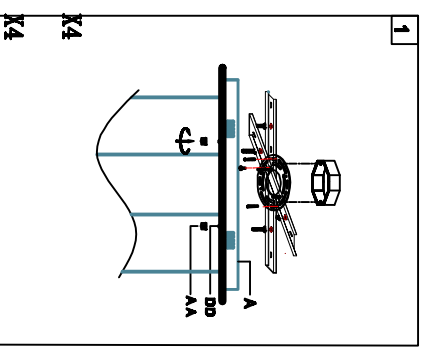
Trade Mark:
CRYSTAL WORLD INC

Product Name: Pendant lamp
Model : 7121P20-13-601
120Vac, 60Hz,AC ONLY
Lamp size: D20*H14"H132"




PENDANT LAMP ASSEMBLY INSTRUCTIONS

1. Place fixture(A) onto mounting screws (DD), secure with cap nuts (AA).



Hardware Used

- AA Cap nut 
- DD Mounting screw 

2. Lighting bulbs (not included).
120V LED  13*5W
DIMMABLE (3000K)

