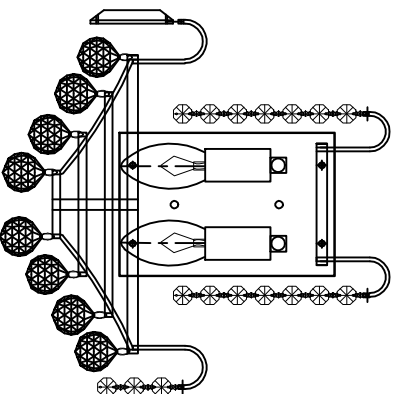


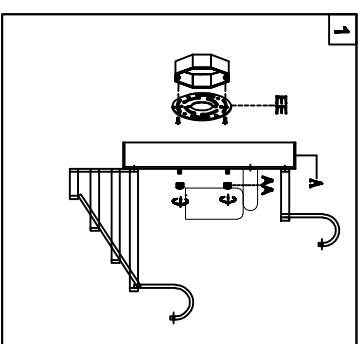
Trade Mark:  
CRYSTAL WORLD INC

Product Name: Wall Lamp  
Model :8017W11C  
120Vac, 60HZ,AC ONLY  
Lamp Size:W11"xH11"xE6"



## WALL LAMP ASSEMBLY INSTRUCTIONS

1. Place fixture(A) onto Butterfly (EE).  
Secure with cap nuts (AA).

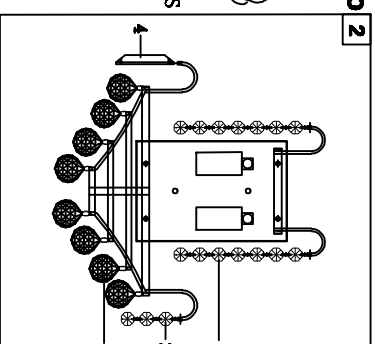


### Hardware Used

AA Cap nut      A      X 2

2. Please hang the crystal(1) (2) (3) (4) to the fixture .

- |       |      |      |       |
|-------|------|------|-------|
| 1     | 2    | 3    | 4     |
|       |      |      |       |
| 11pcs | 9pcs | 9pcs | 26pcs |



3. Install light bulbs ( not included).  
Use bulb  
**120V E12      2\*40W Max.**

