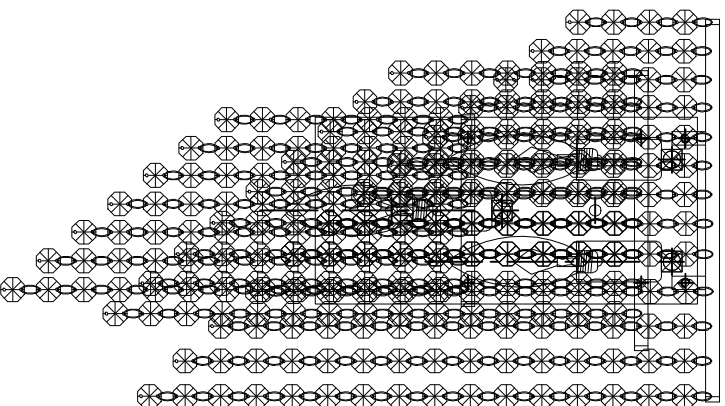


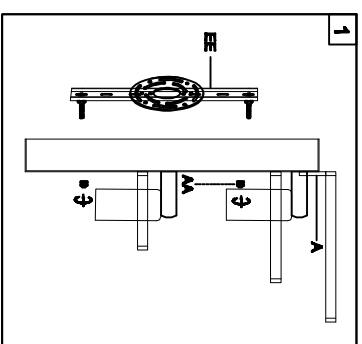
Trade Mark:  
CRYSTAL WORLD INC

Product Name: Wall Lamp  
Model :8024W9C  
120Vac, 60Hz,AC ONLY  
Lamp Size:W9"xH17"xE6"



## WALL LAMP ASSEMBLY INSTRUCTIONS

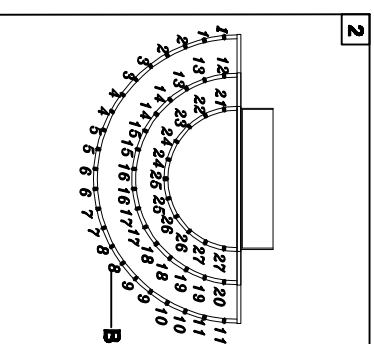
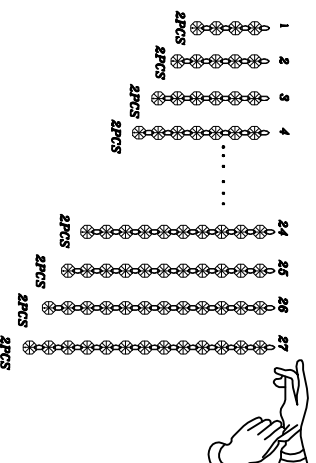
1. Place fixture(A) onto crossbar (EE).  
Secure with cap nuts (AA).



### Hardware Used

AA Cap nut      A      X 2

2. Please hang the crystal(1) (2) ... (48)  
(49) to the fixture (B).



3. Install light bulbs ( not included).

Use bulb  
120V E12      3\*60W Max.

