

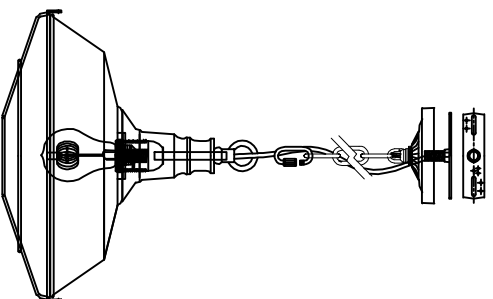
Trade Mark:  
**CRYSTAL WORLD INC**

**Product Name: Pendant lamp**

**Model :9611P14-1**

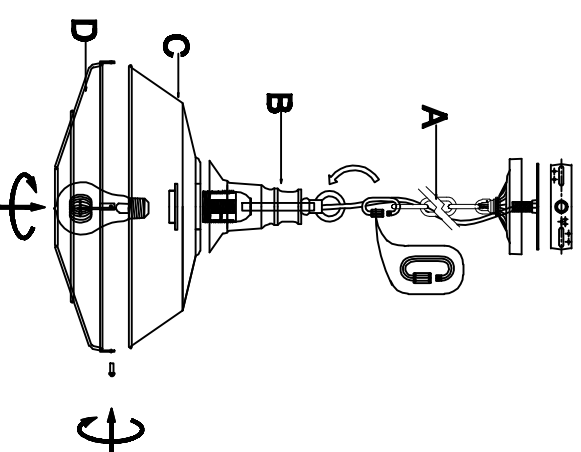
**120Vac, 60Hz,AC ONLY**

**Lamp Size:D14\*\*H11"**



## PENDANT LAMP ASSEMBLY INSTRUCTIONS

1. Please fix part(A) with part(B).
2. Please fix part(C) with part(B),part(D) with part(C).
3. Install bulbs ( NOT INCLUDED).USE 120V E26  1\*40W Max.



  
c<sub>intertek</sub> us  
**Intertek**  
4006677