

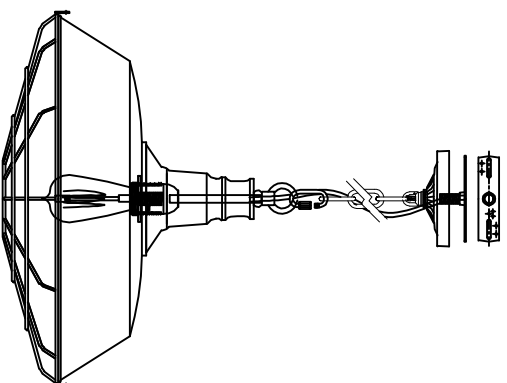
Trade Mark:
CRYSTAL WORLD INC

Product Name: Pendant lamp

Model :9611P18-1

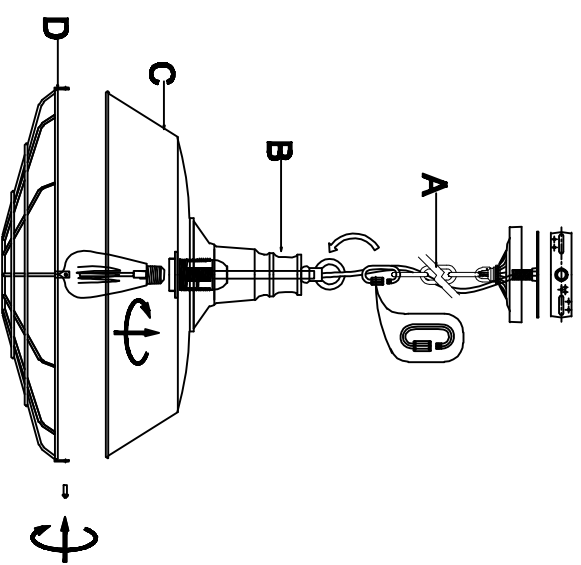
120Vac, 60Hz,AC ONLY

Lamp Size:D18"H12"



PENDANT LAMP ASSEMBLY INSTRUCTIONS

1. Please fix part(A) with part(B).
2. Please fix part(C) with part(B),part(D) with part(C).
3. Install bulbs (NOT INCLUDED). USE 120V E26  1*40W Max.




c_{Intertek} US
Intertek
4006677