

# CWI LIGHTING

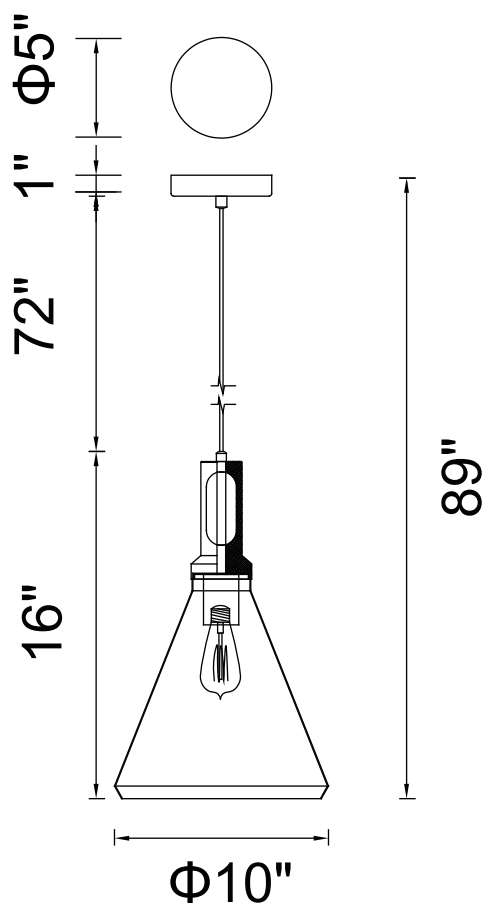
BRIGHTER LIVING. SIMPLIFIED.

PROJECT: \_\_\_\_\_

FIXTURE TYPE: \_\_\_\_\_

LOCATION: \_\_\_\_\_

CONTACT/PHONE: \_\_\_\_\_



Item	9623P10-1-132
Collection	SUZIE
Finish	White
Glass	-----
Crystal	-----
Input	120V AC,60HZ,AC

Shade	White
Length/Dia.	10"
Width/Ext.	-----
Height	16"
Maximum	89"
Lumens	-----

Light Source	E26
Bulb Info.	1×60W
Included	-----
Dimmable	No
Color	-----
Weight	-----