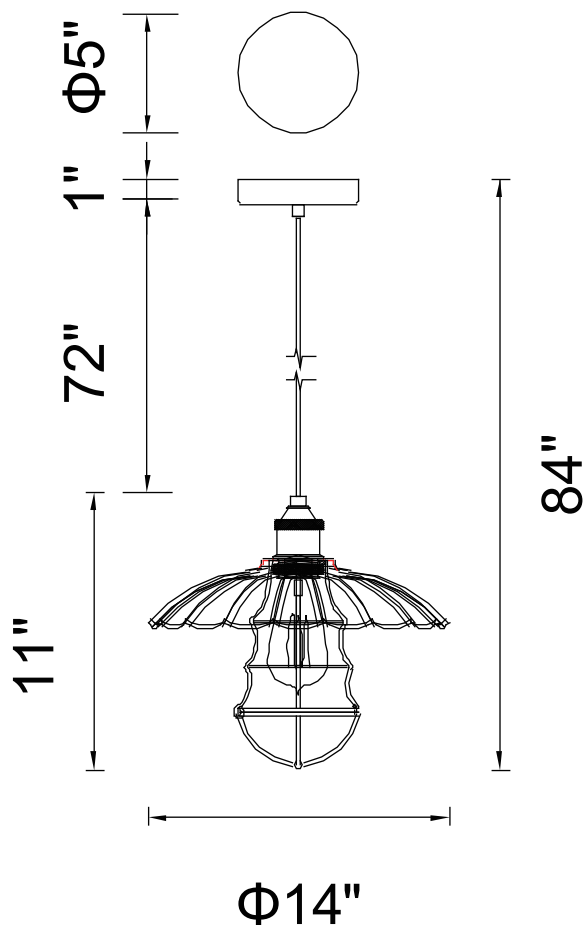


# CWI LIGHTING

BRIGHTER LIVING. SIMPLIFIED.

PROJECT: \_\_\_\_\_  
 FIXTURE TYPE: \_\_\_\_\_  
 LOCATION: \_\_\_\_\_  
 CONTACT/PHONE: \_\_\_\_\_



Item	9640P14-1-101
Collection	AMUR
Finish	Black
Glass	-----
Crystal	-----
Input	120V AC,60HZ,AC

Shade	-----
Length/Dia.	14"
Width/Ext.	-----
Height	11"
Maximum	84"
Lumens	-----

Light Source	E26
Bulb Info.	1x60W
Included	-----
Dimmable	No
Color	-----
Weight	-----