

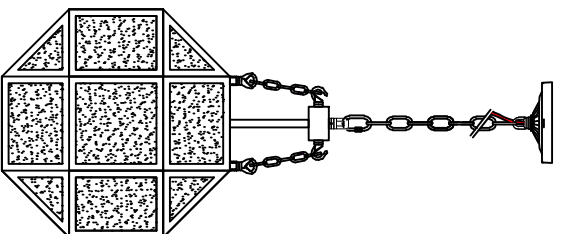
Trade Mark:
CRYSTAL WORLD INC

Product Name: Pendant lamp

Model :9695P14-3

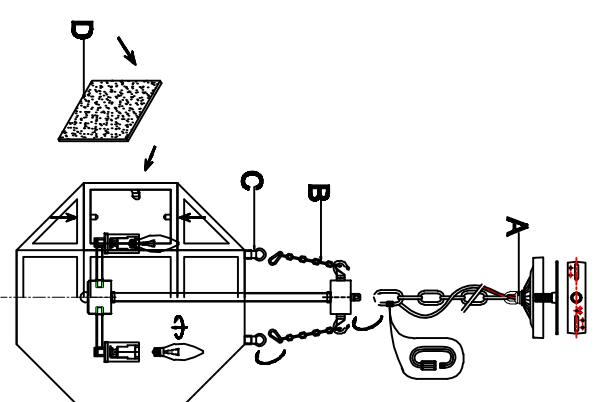
120Vac, 60Hz,AC ONLY

Lamp Size:D14"*H19"



PENDANT LAMP ASSEMBLY INSTRUCTIONS

1. Please put the glass(D) on the (C).
2. Please fix (B) with (C).
3. Install bulbs (NOT INCLUDED).USE **120V E12**  **3*40W Max.**




c_{UL} US
Intertek
4006677

