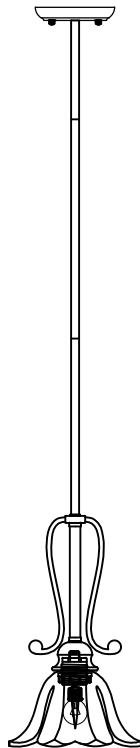


Trade Mark:
CRYSTAL WORLD INC

Product Name: Pendant lamp
Model :9822P8-1-124
120Vac, 60Hz,AC ONLY
Lamp Size:Ø8"*H14"-H59"

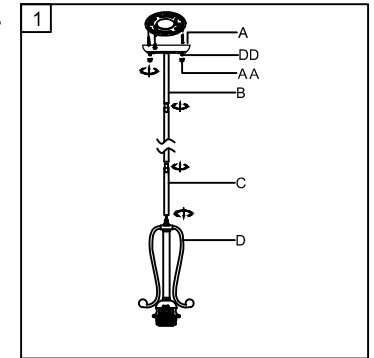


PENDANT LAMP ASSEMBLY INSTRUCTIONS

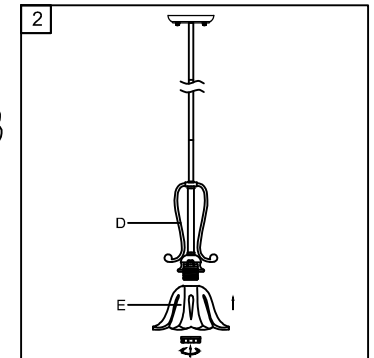
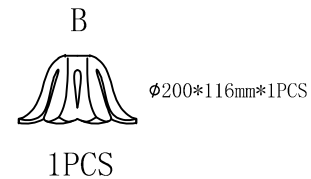
1.Place fixture(A)onto mounting screws (DD),secure with cap nuts (AA). Please fix (A) with (B).(B) with (C), (C) with (D).


Hardware Used

AA Cap nut  X 2
DD Mounting screw  X 2



2.Please fix (E) with (D).



3.Install light bulbs (not included).
Use bulb
120V E26  **1*60W Max.**

