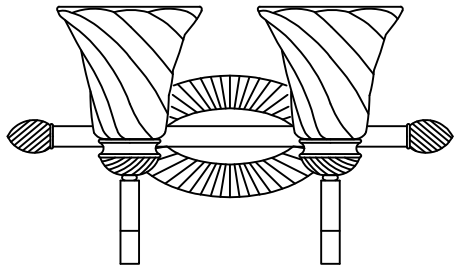


Trade Mark:  
CRYSTAL WORLD INC



Product Name: Wall lamp  
Model :9824W19-2-131  
120Vac, 60Hz,AC ONLY  
Lamp Size:W19"\*H11"\*E9"

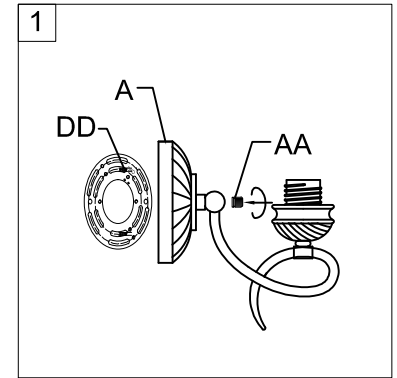


## WALL LAMP ASSEMBLY INSTRUCTIONS

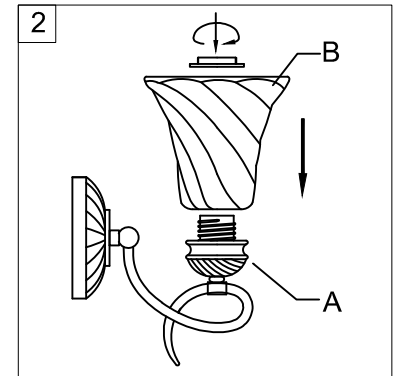
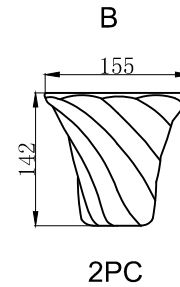
- 1.Place fixture(A) onto mounting screws (DD).Secure with cap nuts (AA).

### Hardware Used

- DD Mounting screw   
AA Cap nut 



- 2.Please fix(B) with (A) .



- 3.Install bulbs ( NOT INCLUDED).  
USE  
120V E26  2\*60W Max.

