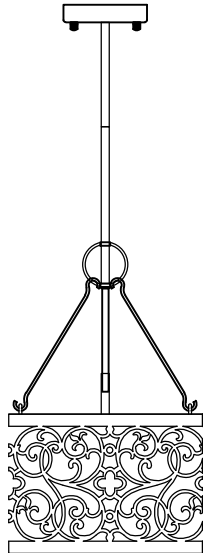


Trade Mark:
CRYSTAL WORLD INC

Product Name: Pendant lamp
Model :9832P11-106
120Vac, 60Hz,AC ONLY
Lamp Size:D11"*H18"~77"

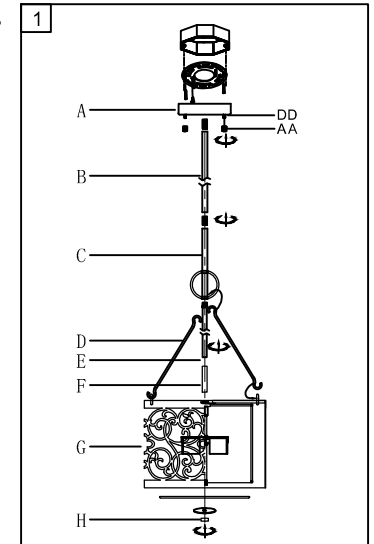



PENDANT LAMP ASSEMBLY INSTRUCTIONS

1. Place fixture(A) onto mounting screws (DD), secure with cap nuts (AA).
Please fix (A) with (B). (B) with (C), (C) with (E). (E) with (F).
Please fix (D) and (F) with (G).
Please fix (H) with (G).

Hardware Used

AA Cap nut		X 2
DD Mounting screw		X 2



2. Install light bulbs (not included).
Use bulb
120V E26  3*40W Max.

