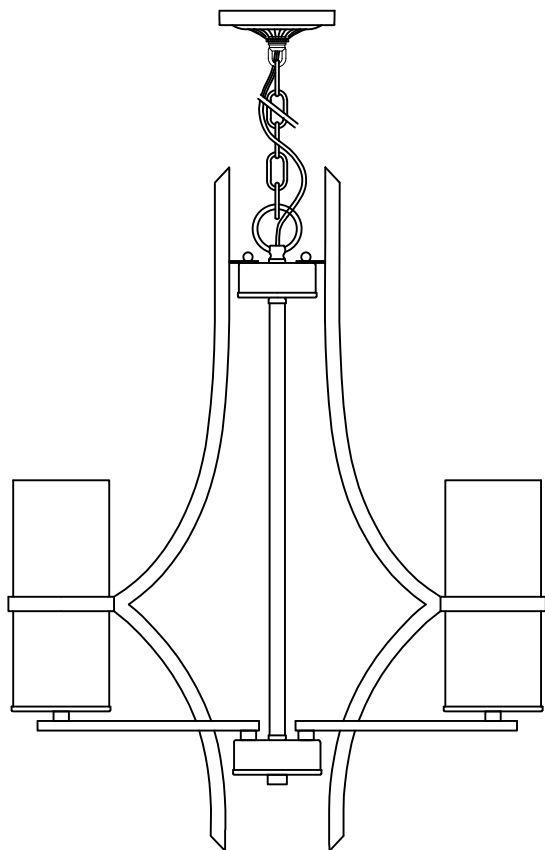



Trade Mark:
CRYSTAL WORLD INC

Product Name: Pendant lamp
Model :9858P22-3-101
120Vac, 60Hz,AC ONLY
Lamp Size:Ø22"*28"



PENDANT LAMP ASSEMBLY INSTRUCTIONS

1. Install bulbs(NOT INCLUDED),USE 120V E12  3*40W Max.

