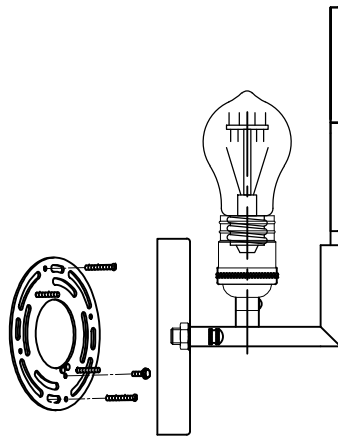
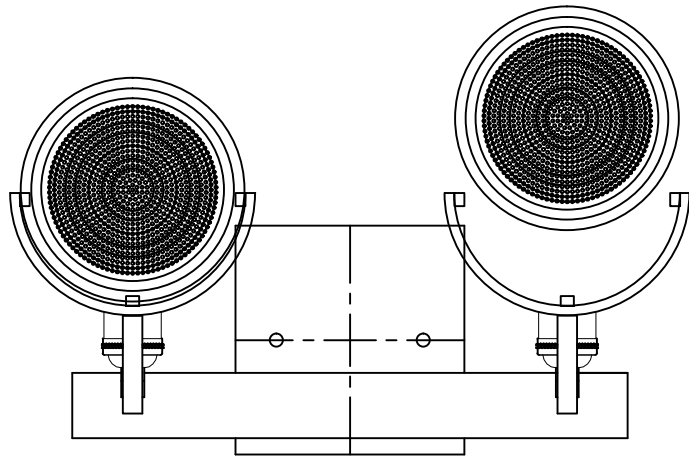



Product Name: Wall lamp
Model :9909W16-2-192
120Vac, 60Hz,AC ONLY
Lamp Size:W16"*H9"*E5"

Trade Mark:
CRYSTAL WORLD INC




C REGISTERED US
Intertek
4006677

WALL LAMP ASSEMBLY INSTRUCTIONS

Install bulbs (NOT INCLUDED).USE 120V E26  2*60W Max.

1.Place fixture(A) onto Butterfly (EE).

Secure(DD) with cap nuts (AA).

Install glass shade .

Hardware Used

AA Cap nut  X 2

DD Mounting screw  X 4

