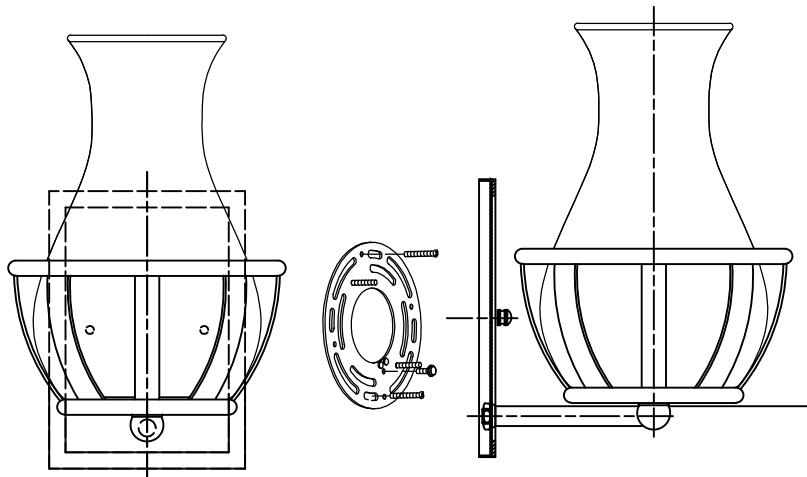


Product Name: Wall lamp
Model :9925W7-1-216
120Vac, 60Hz,AC ONLY
Lamp Size:W7"*H10"*E7"

Trade Mark:
CRYSTAL WORLD INC





WALL LAMP ASSEMBLY INSTRUCTIONS

Install bulbs (NOT INCLUDED).USE 120V E12 1*40W Max.



Hardware Used

AA Cap nut  X 2
DD Mounting screw  X 4

