

CWI LIGHTING

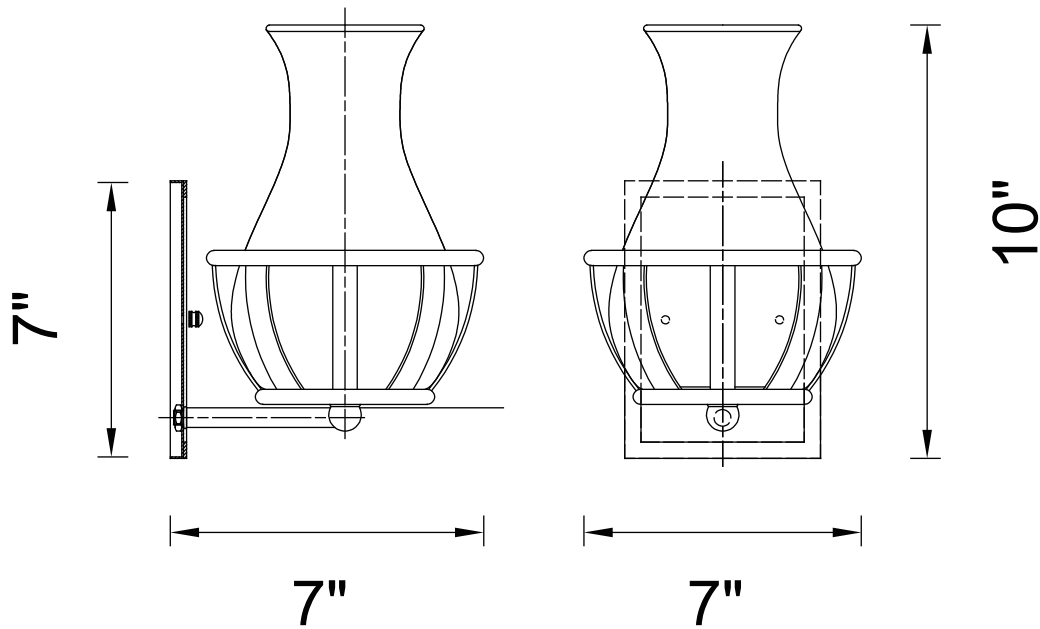
BRIGHTER LIVING. SIMPLIFIED.

PROJECT: _____

FIXTURE TYPE: _____

LOCATION: _____

CONTACT/PHONE: _____



Item	9925W7-1-216
Collection	IMPERIAL
Finish	Antique Black
Glass	Clear
Crystal	-----
Input	120V AC,60HZ,AC

Shade	-----
Length/Dia.	7"
Width/Ext.	7"
Height	10"
Maximum	-----
Lumens	-----

Light Source	E12
Bulb Info.	1×60W
Included	-----
Dimmable	No
Color	-----
Weight	