

aireRyder

LIMITED LIFETIME WARRANTY

Model No.: FN52317

aireRyder ORIGINAL CEILING FAN LIMITED LIFETIME WARRANTY

The limited lifetime warranty covers this ceiling fan, for residential use by the original purchaser, against defects in material or workmanship as follows:

If your aireRyder Ceiling Fan motor fails at any time during the lifetime of the original purchaser due to defects in material or workmanship, we will provide a replacement part free of charge.

If your Fan motor fails at any time within one year after the original date of sale to the original purchaser due to defects in material or workmanship, we will provide labor to repair the defect, with the exception of take down/reinstallation, free of charge. The original purchaser will be responsible for all labor costs after this one year period.

If no replacement parts are provided for any part of your Fan motor that fails at any time during your lifetime due to defects in material or workmanship, we will refund the original purchase price of your Fan.

If your Fan blades, pull chain switch, reverse switch, or any accessory, except glass globes and light bulbs, fails at any time within one year after the original date of purchase due to a defect in material and workmanship, we will repair or, if we choose, replace the defective blades, switch, or accessory free of charge, with the exception of take down/reinstallation services.

If the original purchaser ceases to own the Fan, this warranty and any implied warranty, including but not limited to any implied warranty of merchantability or fitness for a particular purpose, become void. This warranty and any implied warranty, including but not limited to any implied warranty of merchantability or fitness for a particular purpose, do not cover glass globes, light bulbs, or finish on any metal portions of the Fan.

This warranty is in lieu of express warranties. The duration of any implied warranty of merchantability or fitness for a particular purpose, with respect to any aireRyder Ceiling Fan motor, blades, switch, or accessories, is expressly limited to the period of the express warranty set forth above for such motor, blades, switch, or accessories.

This warranty excludes defects, malfunctions, or failures of any aireRyder Ceiling Fan that are caused by repairs by persons not authorized by us, use of parts or accessories not authorized by us, mishandling, improper installation, modifications or damage to the Fan while in your possession, or unreasonable use, including failure to provide necessary maintenance.

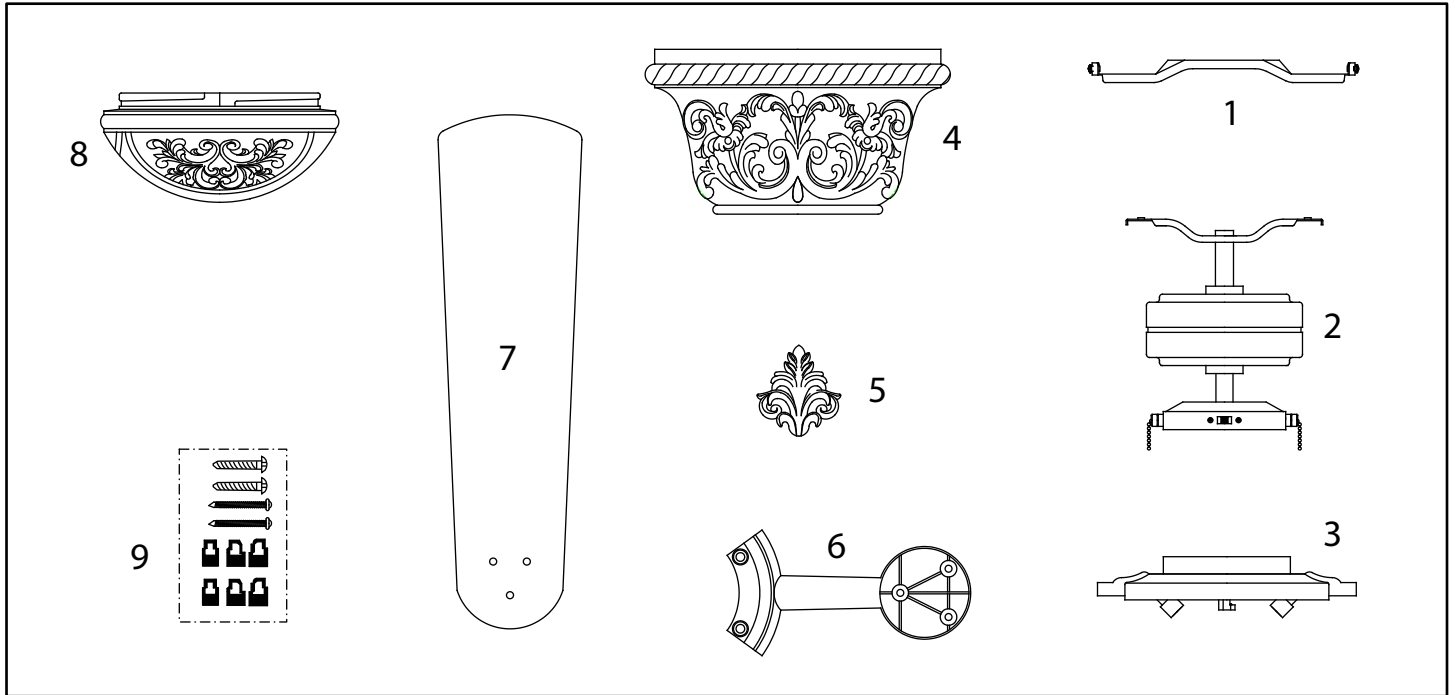
In no event shall aireRyder Fan be liable for consequential or incidental damages.

Some states do not allow the exclusion or limitation of consequential or incidental damages, in which case the above limitation or exclusion may not apply.

This warranty gives you specific legal rights and you may also have other rights which vary from state to state.

aireRyder™

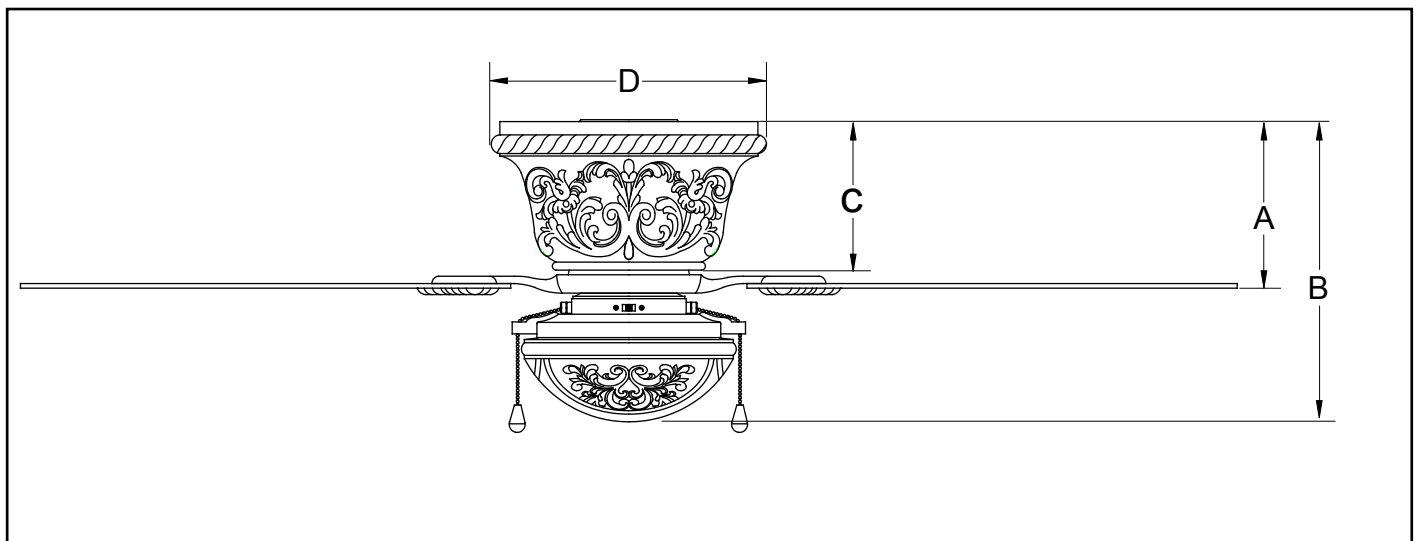
Package Contents:



Unpack your fan and check the contents. You should have the following items:

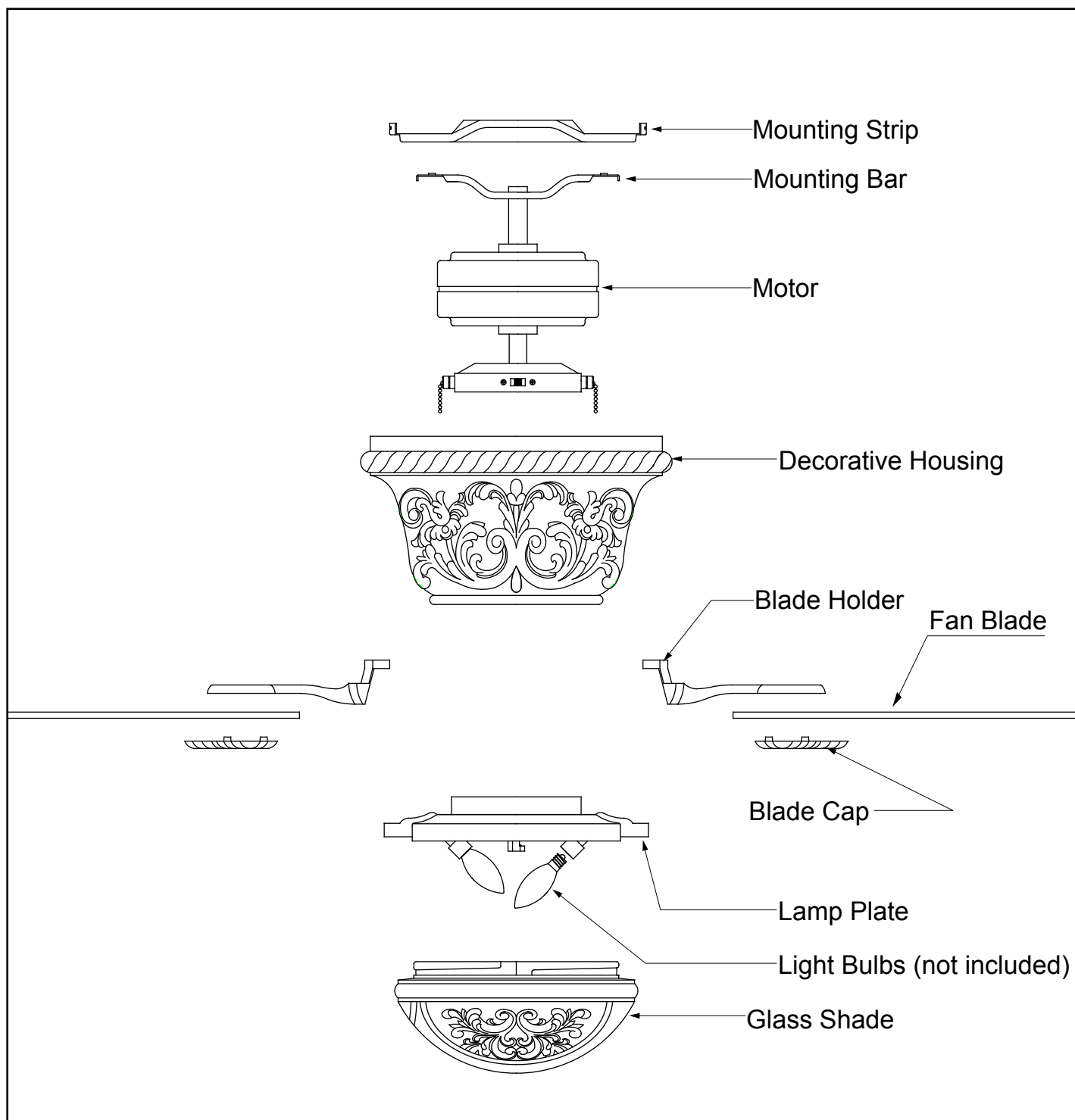
- 1.) Mounting Strip
- 2.) Fan Fixture Set
- 3.) Lamp Plate
- 4.) Decorative Housing
- 5.) Holder Cap
- 6.) Blade Holder (X5)
- 7.) Fan Blade (X5)
- 8.) Glass Shade
- 9.) Assembly Kit

Dimension Reference



A. 7-1/8 in. B. 12-7/8 in. C. 6-3/8 in. D. 11-7/8 in.

Decomposition Chart



Safety Instructions

READ ALL SAFETY INFORMATION AND INSTALLATION INSTRUCTIONS BEFORE YOU BEGIN INSTALLING THE FAN. SAVE INSTRUCTIONS.

- All set screws of the fan must be checked and retightened where necessary before installation.
- To reduce the risk of personal injury, do not bend the blade brackets when installing the brackets, balancing the blades or cleaning fan. Do not insert foreign objects in between rotating fan blades.
- Before changing the fan direction, turn off the fan and wait for the fan blades to stop completely.
- If a stationary appliance is not provided with a supply cord and a plug, or with other means for disconnection from the mains supply having a contact separation of at least 3 mm in all poles, that means for disconnection must be incorporated in the fixed wiring in accordance with the wiring rules.
- NOTE: The safeguards provided by these safety instructions and by the separate installation instructions are not meant to cover all possible conditions and situations that may occur. It must be understood that common sense, caution and care are factors which can not be built into this product. These factors must be supplied by the person(s) installing, caring for and operating the fan.

WARNING

- TO AVOID RISK OF ELECTRIC SHOCK, BE SURE TO SHUT OFF POWER AT THE MAIN FUSE OR CIRCUIT BREAKER BOX BEFORE INSTALLING OR SERVICING THIS FIXTURE. TURNING OFF THE ELECTRICAL POWER BY USING THE LIGHT SWITCH IS NOT SUFFICIENT TO PREVENT ELECTRICAL SHOCK.
- TO REDUCE THE RISK OF INJURY, INSTALL THE FAN SO THAT THE BLADES ARE AT LEAST 7 FEET (2.1 METERS) ABOVE THE FLOOR AND AT LEAST 18 INCHES (0.5 METERS) FROM THE TIP OF THE BLADES TO THE WALL.
- TO REDUCE THE RISK OF FIRE, ELECTRIC SHOCK, OR PERSONAL INJURY, MOUNT TO OUTLET BOX MARKED "ACCEPTABLE FOR FAN SUPPORT" AND USE MOUNTING SCREWS PROVIDED WITH THE OUTLET BOX.
- THE INSTALLATION HAS TO BE IN ACCORDANCE WITH THE NATIONAL ELECTRICAL CODE, ANSI/NFPA 70-1999 AND LOCAL CODES. IF YOU ARE UNFAMILIAR WITH THE METHODS OF INSTALLING ELECTRICAL WIRING, SEEK THE SERVICES OF A QUALIFIED LICENSED ELECTRICIAN.

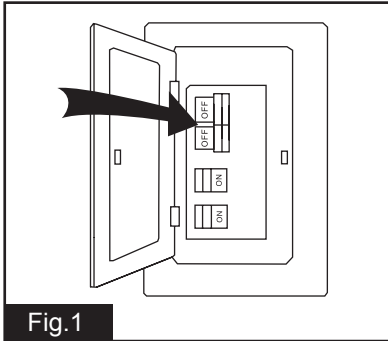
INSTALLATION INSTRUCTIONS

IMPORTANT:

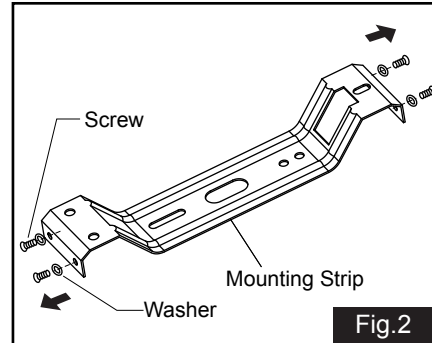
- BEFORE YOU BEGIN INSTALLING THE FAN, CAREFULLY READ ALL INFORMATION ON THE SEPARATE SHEET "SAFETY INSTRUCTIONS" AS WELL AS THE FOLLOWING "INSTALLATION INSTRUCTIONS". IF IN DOUBT, CONSULT A QUALIFIED ELECTRICIAN.
- THIS FAN MUST BE INSTALLED WITH A WALL CONTROL/SWITCH.
- SAVE ALL INSTRUCTIONS.

NOTE: The fan weight is 17.78 lb (8 kg). Be sure the outlet box you are using is securely attached to the building structure and can support the full weight of the fan. Failure to do so can result in serious injury.

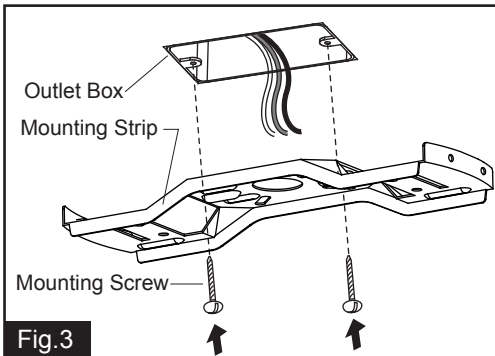
Installation Steps :



Turn OFF the electric power at the main fuse or circuit breaker box.

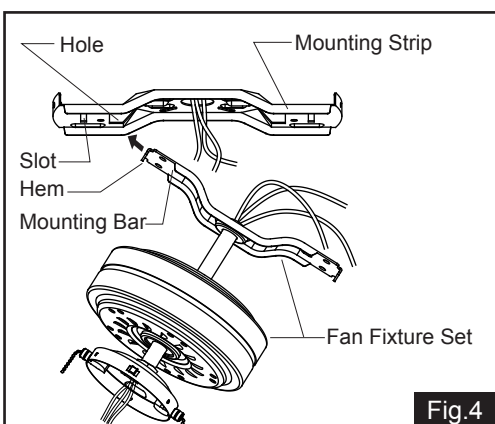


Remove the screws and washers from the two mating holes on the mounting strip. Loosen (do not remove) the screws in the mating slots on the mounting strip.

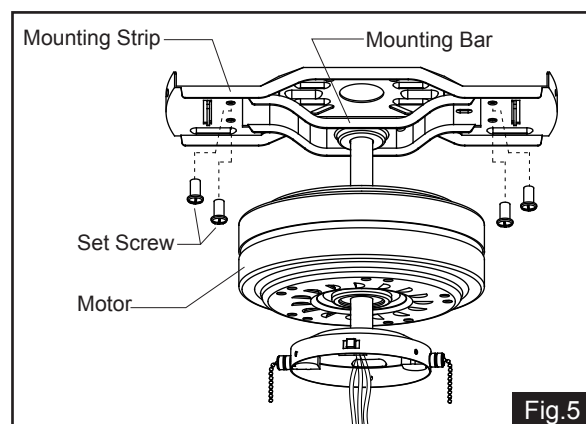


Tighten the mounting strip to the outlet box with 2 mounting screws. (To reduce the risk of fire electric shock, or personal injury, mount to the outlet box marked "Acceptable for fan support" and use mounting screws provided with the outlet box.)

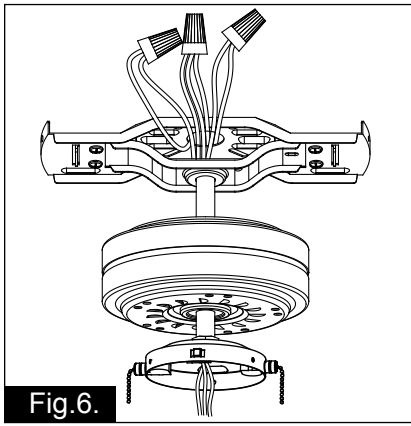
NOTE: Pull the electrical wires from the outlet box through the center hole of the mounting strip for motor wiring installation.



Attach fan fixture set onto mounting strip. Insert one end of mounting bar through the hole of the mounting strip, locate the hem of the mounting bar into the slot of the mounting strip. Repeat with the other end of the mounting bar.



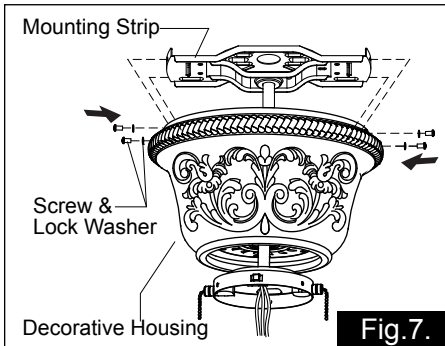
Secure the mounting bar to the mounting strip using four set screws.



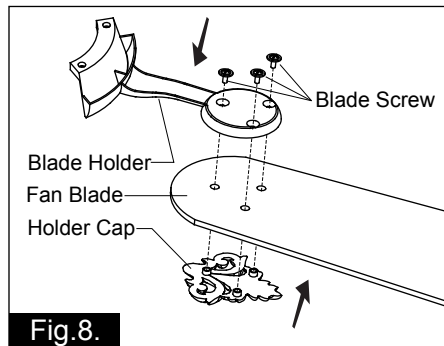
Make wire connections:

- 1.) The white motor wire to the white wire from outlet box with a wire nut.
- 2.) The black and blue motor wires to the black wire from outlet box with a wire nut.
- 3.) The ground wire from ceiling outlet box to the ground wire from the motor with a wire nut.

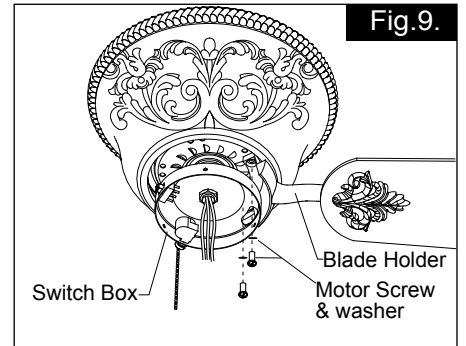
- After making the wire connections, the wires should be spread apart with the grounded conductor and the equipment-grounding conductor on one side of the outlet box and the ungrounded conductor on the other side of the outlet box.
- After the splices have been made, they should be turned upward and pushed carefully up into the outlet box.
- **Instructions for supply connections:** Conductor of a fan identified as grounded conductor to be connected to a grounded conductor of power supply. Conductor of a fan identified as ungrounded conductor to be connected to an ungrounded conductor of power supply, conductor of fan identified for equipment grounding to be connected to an equipment-grounding conductor.



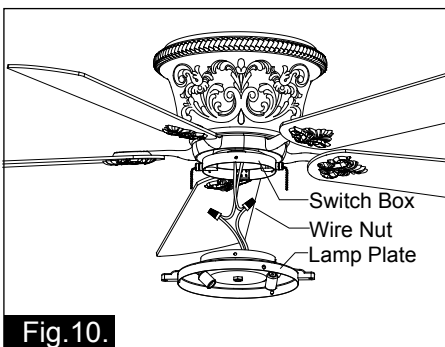
The decorative housing has two mating slots and two mating holes. Position both slots on the decorative housing directly under and in line with two screws and washers in the mounting strip. Lift the decorative housing, allowing the two screws and washers to slide into the mating slots. Rotate the decorative housing counterclockwise until both screws from the mounting strip drop into the slot recesses. Tighten screws securely. Install two screws and washers, removed in fig.2, into the mating holes of the mounting strip and tighten to secure the decorative housing to the mounting strip.



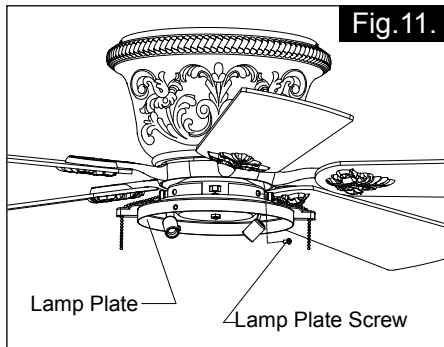
Attach the holder cap and the blade holder to the fan blade by aligning holes (the fan blade should be placed in between blade holder and blade holder cap). Then secure them with three blade screws. Repeat with the others fan blades.



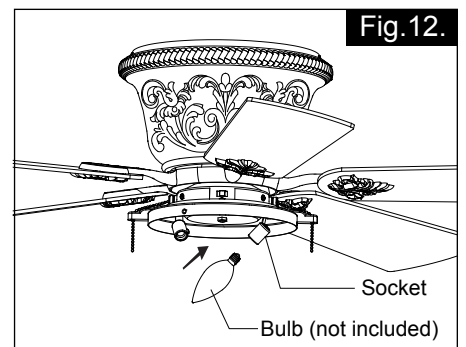
Secure blade holders to the motor with motor screws and washers.



Make wire connections using wire nuts:
 1.) The motor white wire to the light white wire.
 2.) The motor blue wire to the light black (or blue) wire.



Attach the lamp plate to the switch box by aligning holes, then secure it with lamp plate screws.



Install bulbs (not included). See relamping label at socket area or packaging for maximum allowed wattage.

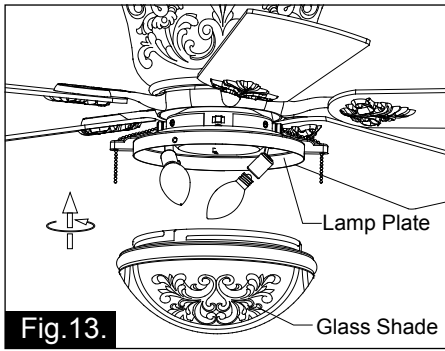


Fig. 13.

Rotate the glass shade upward to the lamp plate in clockwise.

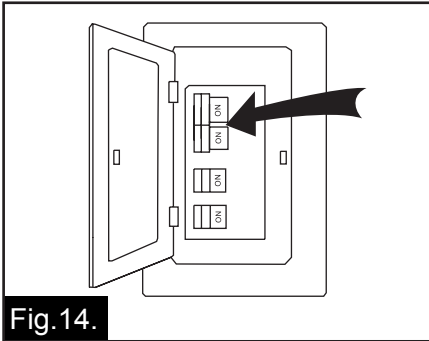


Fig. 14.

Turn ON the electric power at the main fuse or circuit breaker box.

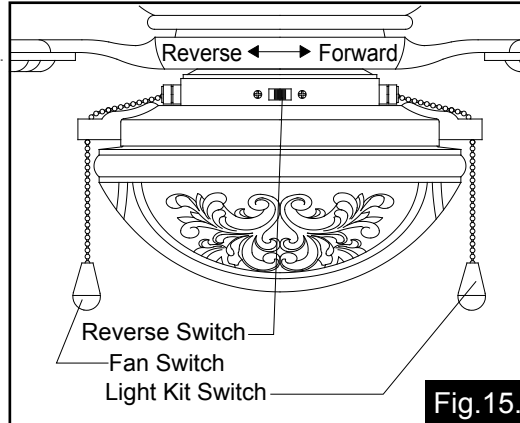


Fig. 15.

- 1). The fan switch can switch advances to a new position whenever the switch is pulled. The sequence of position is OFF-HI-MED-LOW.
- 2). The reverse switch sets direction of fan rotation. Push the reverse switch Right for "Forward" and Left for "Reverse".
- 3). Use the light kit switch to control the light.

Trouble Shooting Guide

If you have difficulty in operating your new ceiling fan, it may be the result of incorrect assembly, installation or wiring. In some cases, these installation errors may be mistaken for defects. If you experience any faults, please check this Trouble Shooting Guide. If a problem cannot be remedied or you are experiencing difficulty in installation, please call our Customer Service Department.

TROUBLE	SUGGESTED REMEDY
1.If fan does not start:	<ol style="list-style-type: none">1.Check main and branch circuit fuses or circuit breakers.2.Check line wire connections to fan and switch wire connections in switch housing. CAUTION: Make sure main power is turned off.3.Make sure forward/reverse switch is firmly in up or down position. Fan will not operate when switch is in the middle.4.Make sure that the wall controller is " ON ".
2.If fan sounds noisy:	<ol style="list-style-type: none">1.Make sure all screws in motor housing are snug. (Do not overtighten)2.Make sure the screws which attach the fan blade holder to the motor are secure.3.Make sure wire nut connectors in switch housing are not rattling against each other or against the interior wall of the switch housing. CAUTION: Make sure main power is turned off before entering switch housing.4.If using an optional ceiling fan light kit, check to be sure the screws securing the glassware are finger tight. Check to make sure the light bulb is tight in socket and not touching glass shade(s). If vibration persists from glass, remove glass and install a 1/4 in. wide rubber band on glass neck to act as an insulator. Replace glass and tighten screws against rubber band.5.Some fan motors are sensitive to signals from solid state variable speed controls. DO NOT USE a solid state variable speed control.6.Allow "break-in" period of 24 hours. Most noises associated with a new fan will disappear after this period.
3.If fan wobbles:	<p>All blades are weighed and grouped by weight. Natural woods vary in density that could cause the fan to wobble even though all blades are weight-matched. The following procedures should eliminate most of the wobble. Check for wobble after each step.</p> <ol style="list-style-type: none">1.Check that all blades are screwed firmly into blade holders.2.Check that all blade holders are tightened securely to motor.3.Make sure that canopy and mounting bracket are tightened securely to the ceiling junction box and that the junction box is mounted firmly to the ceiling joist.4.Most fan wobble problems are caused by uneven blade levels. Check the levels by selecting a point on the ceiling above the tip of one of the blades and measure the distance (within 1/8 in.)between the point and the tip of the blade to be measured. Rotate the fan and repeat measurement for each blade. If all blade levels are not equal, you can adjust blade levels by the following procedure. To adjust a blade tip down, insert a washer (not supplied) between the blade and blade holder at the screw closest to the motor. To adjust a blade tip up, insert washer (not supplied) between the blade and blade holder at the two screws farthest from the motor.5.If blade wobble is still noticeable, interchanging two adjacent (side by side) blades can redistribute the weight and possibly result in smoother operation.
4.If light does not work:	<ol style="list-style-type: none">1.Check blue wire from fan to make sure it is connected to hot wire from house.2.Check for loose or disconnected wires in fan switch housing.3.Check for loose or disconnected wires in light kit.4.Check for faulty light bulbs. CAUTION: Make sure main power is turned off before entering switch housing.